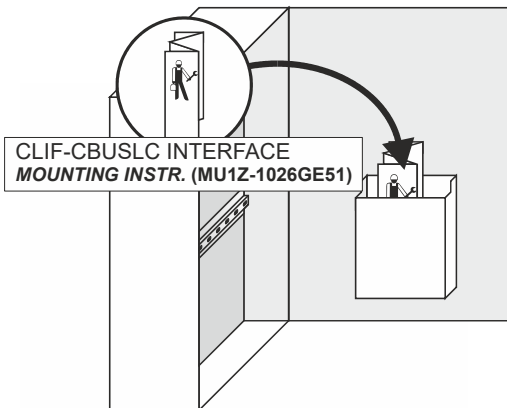


CLIF-CBUSLC Interface

MOUNTING INSTRUCTIONS

E Keep these instructions together with the device or with the equipment documentation!	F Cette instruction est à conserver avec le contrôleur ou avec la documentation de l'installation !	P Guarde estas instruções junto do regulador ou junto da documentação da instalação!
D Diese Anleitung ist beim Gerät oder in der Anlagendokumentation aufzubewahren!	I Queste istruzioni devono essere conservate insieme al lettore o con la documentazione dell'impianto!	S Denna instruktion skall förvaras tillsammans med regler eller anläggningsdokumentationen!
DK Opbevar denne vejledning sammen med regler eller med anlægsdokumentationen!	N Denne vejledningen skal opbevares sammen med regler eller anlægsdokumentationen!	FI Tätä ohjetta tulee säilyttää laitteen läheisyydessä tai yhdessä muiden dokumenttien kanssa!
ES Conserve estas instrucciones con el recalar o con la documentación de la instalación.	NL Deze handleiding moet bij de regelaar, of met de documentatie van de installatie worden bewaard!	PL Instrukcję obsługi należy przechowywać przy urządzeniu albo w dokumentacji technicznej.

0A: INFO!

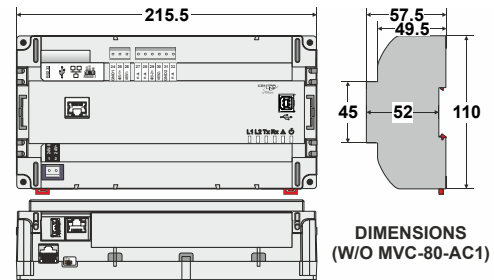


www.centraline.com

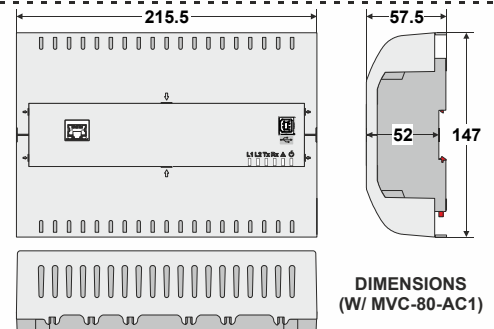
CLIF-CBUSLC INTERFACE...

- PRODUCT DATA (EN0Z-1026GE51)
- INSTALLATION & COMM. INSTRUCTIONS (EN1Z-1026GE51)
- IF-LON2 - PRODUCT DATA & MOUNTING (MU1Z-0545GE51)
- Centraline NX C-BUS DRIVER - U.G. (EN2Z-1021GE51)
- AX GENERAL SECURITY BEST PRACTICES (EN0Z-1017GE51)
- NX GENERAL SECURITY BEST PRACTICES (EN0Z-1040GE51)
- NX LonSock RNI Driver - User Guide (EN2Z-1054GE51)

0B: DIMENSIONS (mm) CLIF-CBUSLC

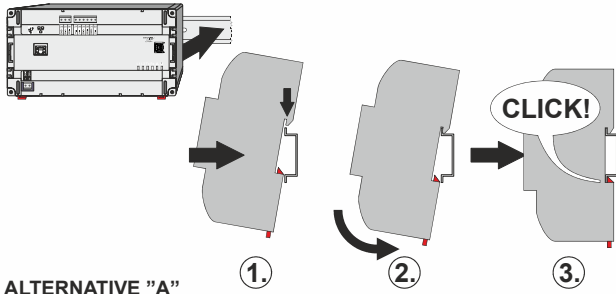


DIMENSIONS
(W/O MVC-80-AC1)



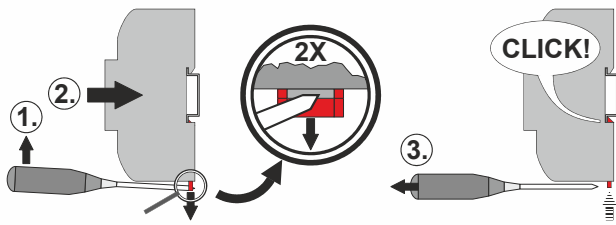
DIMENSIONS
(W/ MVC-80-AC1)

1A. DIN RAIL MOUNTING

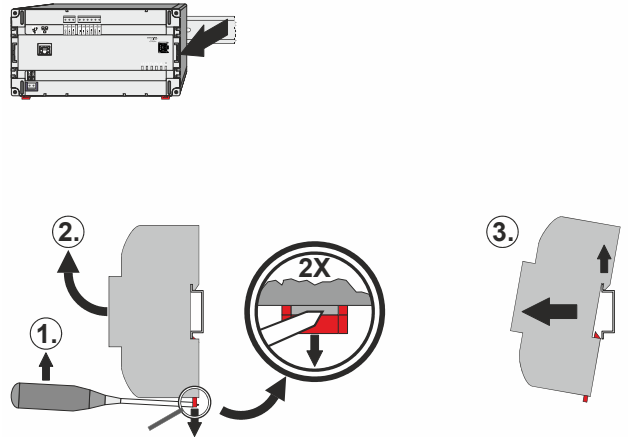


ALTERNATIVE "A"

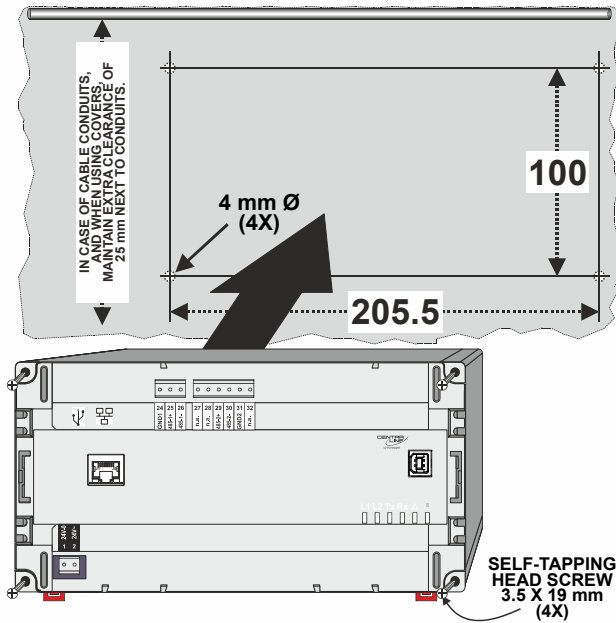
ALTERNATIVE "B"



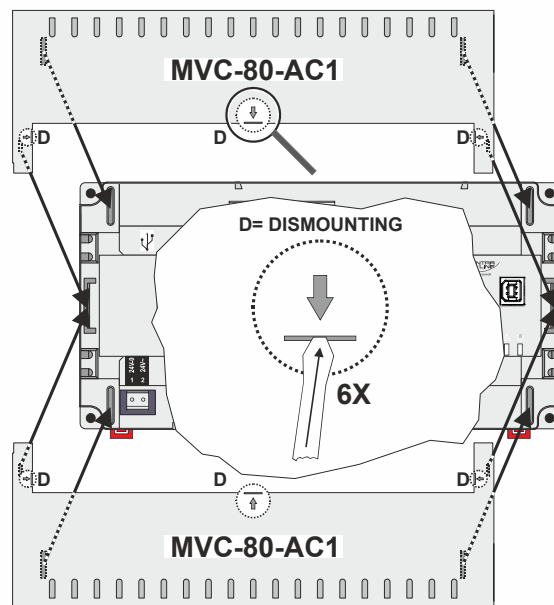
1B. DIN RAIL DISMOUNTING



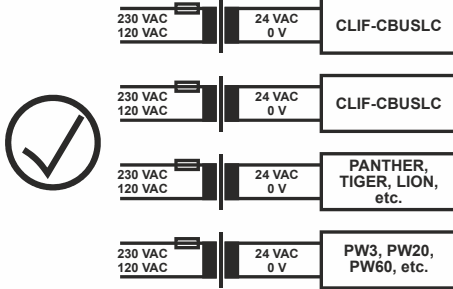
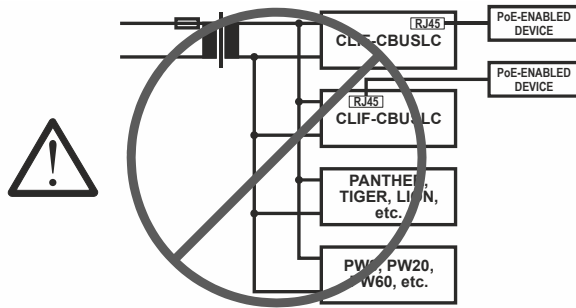
2. WALL MOUNTING



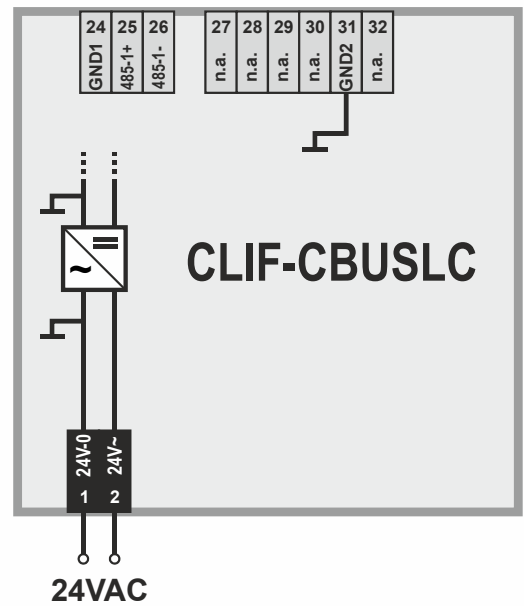
3. MOUNTING/DISMOUNTING COVERS



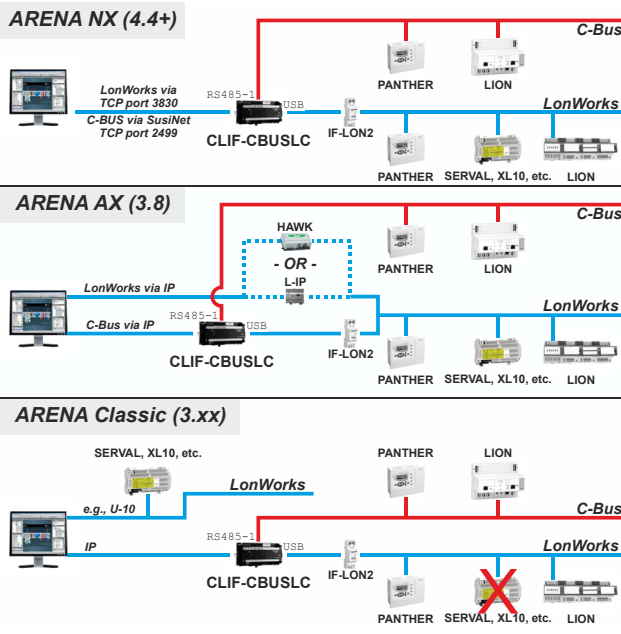
4A. WIRING



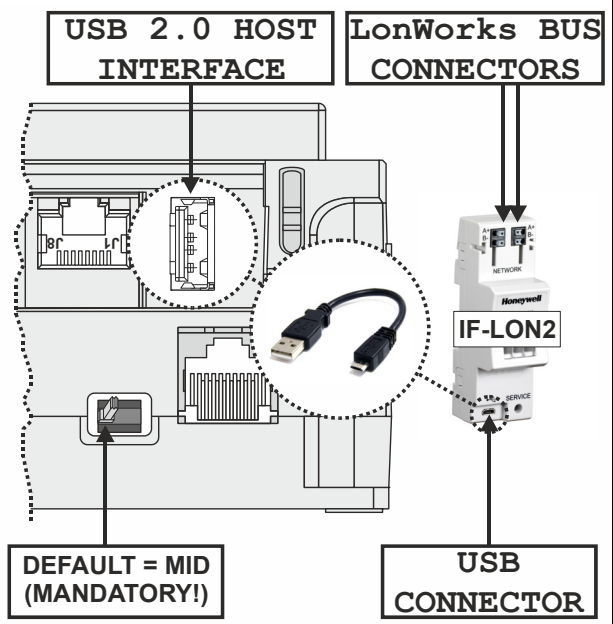
4B. WIRING



5. SYSTEM SCENARIOS



6. CONNECTING IF-LON2 / BIAS SWITCH SETTING



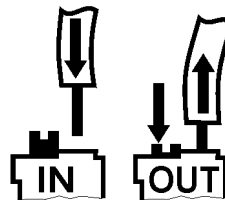
SPECIFICATIONS OF INTERFACE

Power supply	19 ... 29 VAC, 50/60 Hz, or 20 ... 30 VDC
Power consumption	typically dc: 5 W; max. 6 W typically ac: 9 VA; max. 11 VA
Current consumption	typically dc: 210 mA; max. 240 mA typically ac: 370 mA; max. 410 mA
Ambient temperature	0 ... 40 °C (wall-mounting)
Storage temperature	-20 ... +70 °C
Humidity	5 ... 95% r.h. non-condensing
Dimensions	See picture 0B.
Degree of protection	IP20 (mounted on walls, with two accessory MVC-80-AC1 covers)
Fire class	V0

CABLE SPECS, PUSH-IN TERMINALS

plug gauge	0.2 ... 1.50 mm ²
solid conductor H05(07) V-K	
stranded conductor H05(07) V-K	
stranded conductor with wire end ferrules (w/o plastic collar)	
stripping length	10.0 +1.0 mm

WIRING PUSH-IN TERMINAL PLUGS



use Cu only

STANDARDS, APPROVALS, ETC.

Purpose of the device is: OPERATING CONTROL and multi-functional non-safety control intended for HVAC in home (residential, commercial, and light-industrial) environments
Device meets CE, EN 60730-1, EN 60730-2-9.
Independently mounted electronic control unit with fixed wiring.
Shock protection: Class II.
Pollution degree: 2.
Installation: Class 3
Rated impulse voltage: 330 V for SELV
Type of action: Type 1.C.
Software Class: A.
Ball-pressure test temperature: housing parts > 75 °C terminals > 125 °C
NOTE: Keep AC mains supply/load cables separate from signal wiring!

WEEE DIRECTIVE

WEEE: Waste Electrical and Electronic Equipment Directive	
	<ul style="list-style-type: none"> ▪ At the end of the product life, dispose of the packaging and product in an appropriate recycling center. ▪ Do not dispose of the device with the usual domestic refuse. ▪ Do not burn the device.

Manufactured for and on behalf of the Connected Building Division of Honeywell Products and Solutions Sàrl, Z.A. La Pièce 16, 1180 Rolle, Switzerland by its Authorized Representative:

Centraline
Honeywell GmbH
Böblinger Strasse 17
71101 Schönaich, Germany
Phone +49 (0) 7031 637 845
Fax +49 (0) 7031 637 740
info@centraline.com
www.centraline.com

Subject to change without notice
MU1Z-1026GE51 R1018C

CENTRALINE
by Honeywell