

Smart DCM/SN DIFF

ELECTRONIC DIFFERENTIAL PRESSURE SWITCHES AND TRANSMITTERS

OPERATING INSTRUCTIONS

GENERAL

Honeywell FEMAs' Smart DCM/SN DIFF Electronic Differential Pressure Switches and Transmitters are microprocessor-controlled pressure measurement devices for differential pressure measurements (0...20 bar). With their high-performance stainless steel sensor material, they are suitable for a wide range of liquid or gas media in industrial applications. They are screwed (2 x G $\frac{1}{4}$ ") directly into the line.

BEFORE PROCEEDING! VALIDITY

These Operating Instructions pertain to measuring systems containing Smart DCM/SN DIFF Electronic Differential Pressure Switches and Transmitters. Device software must be version 1.30 or higher.

QUALIFIED PERSONNEL AND USAGE

Use only these Operating Instructions (and the corresponding Mounting Instructions) to set up and operate the device. Only qualified personnel are permitted to install, commission, operate, and maintain the device. This device may be used only in applications and under operating conditions described in these Operating Instructions.

WARNING

Do not apply line voltage to the device!
Do not open the device in the field!

TECHNICAL DATA

MATERIALS

Parts contacting medium	Stainless steel 316L (AISI)
Chemical resistance	4C4 as per EN 60721-3-4
HMI	PA66 GB30
Total weight	520 g without, 600 g with HMI
Sensor type	Piezo

AMBIENT (OPERATING) TEMPERATURE AND HUMIDITY

Non-HMI versions	-20...+80 °C
HMI versions	-20...+70 °C
Humidity	0...95% r.h., non-condensing
Temperature of medium	-20...+80 °C

Accuracy (combined non-linearity, hysteresis, and repeatability at 20 °C,) temperature effect on span and on offset, as well as long-term drift (within temp. compensation range of 0...80 °C)

devices with diff. pressure measurement ranges of...	parameter	max.	typical
0 ... 100 mbar	accuracy	±1.0% FS	--
	temperature effect on span	±1.2% FS / 10 K	±0.5% FS / 10 K
	temperature effect on offset	±1.2% FS / 10 K	±0.5% FS / 10 K
	long-term drift	±0.5% FS / year	±0.25% FS / year
0 ... 300 mbar, 0 ... 1 bar, 0 ... 3 bar, 0 ... 6 bar, 0 ... 20 bar	accuracy	±1.0% FS	--
	temperature effect on span	±0.4% FS / 10 K	±0.2% FS / 10 K
	temperature effect on offset	±0.4% FS / 10 K	±0.2% FS / 10 K
	long-term drift	±0.5% FS / year	±0.25% FS / year

STORAGE TEMPERATURE

Versions without HMI	-40...+100 °C
Versions with HMI	-30...+80 °C

CLIMATE CLASS

Indoors	4K4H as per EN 60721-3-4
Outdoors	3K8H as per EN 60721-3-3

MECHANICAL STABILITY

Vibration	10 g as per IEC 68-2-6 (up to 2000 Hz)
Mechanical shock	50 g as per IEC 68-2-27
Pressure resistance	see Table 9 on page 12

Pressure meas. range Cycle time

0...20 bar (differential)
100 ms

EMC

Protection class	2 as per EN 61010
Protection rating (non-HMI)	IP67 as per EN 60529-2 (with M12 plug connector)
Protection rating (HMI)	IP65 as per EN 60529-2 (with M12 plug connector)
Process connection	2 x G $\frac{1}{4}$ " internal thread
Electrical connection	4-prong A-coded M12x1 plug

SWITCH (OPEN COLLECTOR OUTPUT)

Max. current load	250 mA
Output, high level	V _{SUPPLY} minus 5 V (min.)
Output, low level	GND plus 0.5 V (max.)
Reaction time	max. 300 ms

WARN output voltage

passive: V _{SUPPLY} - 2 V
active: ≤ 0.5 V
max. 20 mA current load

TRANSMITTER (ANALOG) OUTPUT

Current (2-wire)	4...20 mA
Voltage / current (3-wire)	0/2...10 V, 0/4...20 mA
V _{SUPPLY} (2-wire)	18...35 VDC
V _{SUPPLY} (3-wire)	18...35 VDC, 24 VAC +10%/-20%, max. 50 mA
Current output (max. load)	(V _{SUPPLY} - 16 V) / 22 mA (max. error ±0.25% FS)
Voltage output (min. load)	15 kΩ (max. error ±0.25% FS)
Transient response	approx. 200 ms

DCM DIFF SWITCH SEQUENCE OF SCREENS

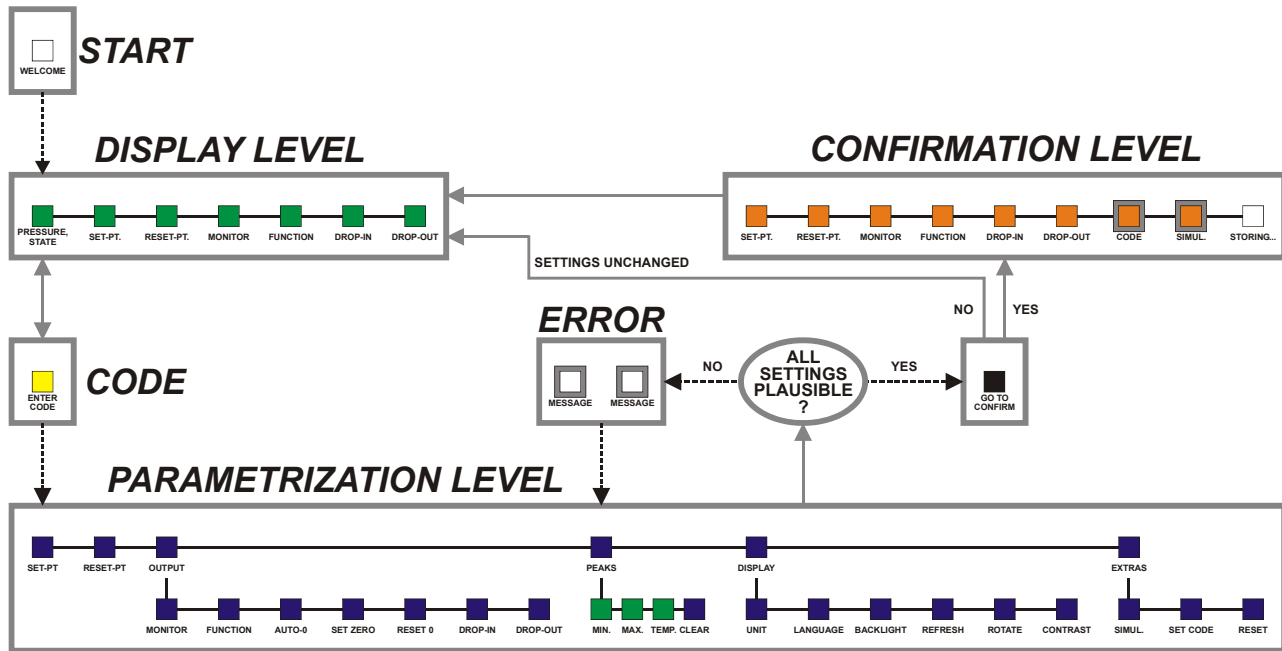


Fig. 1. Sequence of screens - Overview (DCM DIFF Switch)

Devices equipped with an HMI (Human-Machine-Interface) feature pushbuttons and a display, allowing easy configuration by means of a menu structure. The menu structure is divided into the following segments:

- The START SCREEN;
- The DISPLAY LEVEL (where information including the current pressure and parameterized values are shown but cannot be edited);
- The CODE area (where you will have to enter the correct four-digit CODE in order to proceed any further);
- The PARAMETRIZATION LEVEL (where you can edit various different parameters);
- A ERROR-CHECKING area (where the device will check the plausibility of your values and, if necessary, redirect you back to the PARAMETRIZATION LEVEL); and
- The CONFIRMATION LEVEL (where you can review your edited values before permanently storing them).

START SCREEN

Within 10 seconds of powering-up the device, an initial screen – the START SCREEN - will appear briefly (see Fig. 2).

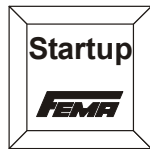


Fig. 2. Start screen

You will then be automatically directed to the DISPLAY LEVEL.

DISPLAY LEVEL

In the DISPLAY LEVEL, you can view the current pressure as well as the various different user-settings currently in force.

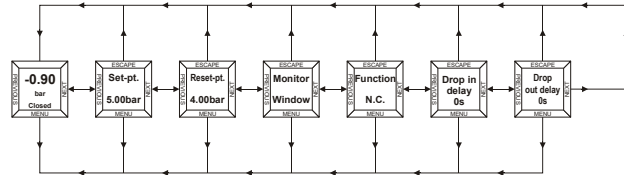


Fig. 3. DISPLAY LEVEL

ENTERING THE ENTRY CODE

In order to gain access to the PARAMETRIZATION LEVEL (where you can edit values), it is first necessary to show that you have the requisite authorization by entering the correct four-digit ENTRY CODE (default: 0000).

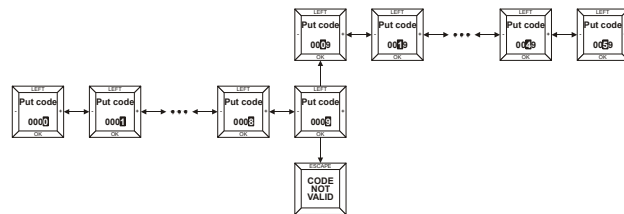


Fig. 4. Entering the ENTRY CODE

PARAMETRIZATION LEVEL

Once you have successfully entered the ENTRY CODE and thus gained access to the PARAMETRIZATION LEVEL, you can edit values and reconfigure the device.

NOTE: The currently set option (e.g. "yes," "no," "window monitor", etc.) is always marked in the display screen with a small dot to the left (see Fig. 5).

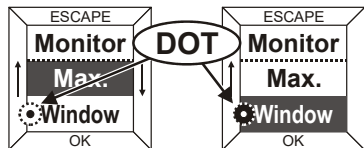


Fig. 5. Dot indicating present setting

SET-PT.

In this screen, you can select the set-point. This is defined as the pressure at which you want the device to switch. The default setting is 60% of full-scale.

ERROR MESSAGE: "VALUE OUT OF RANGE"

If you have entered a set-point outside of the device's specified pressure measurement range or which is for any other reason not rational, this error message will appear, whereupon you should then enter a correct value.

RESET-PT.

In this screen, you can select the reset-point. This is defined as the pressure at which you want the device to switch back. The default setting is 40% of full-scale.

ERROR MESSAGE: "VALUE OUT OF RANGE"

If you have entered a reset-point outside of the device's specified pressure measurement range or which is for any other reason not rational, this error message will appear, whereupon you should then enter a correct value.

OUTPUT MONITOR

Here, you can choose between three types of monitors: min., max., and window.

- Min.;
- Max.;
- Window;

See Fig. 7 on page 5 for an explanation of the meanings of these different settings. The default setting is "Max."

FUNCTION

Here, you can choose the type of action you want the DCM DIFF Switch to have:

- N.O.: Normally-open switch (meaning: when the switch is activated, it will CLOSE); or
- N.C.: Normally-closed switch (meaning: when the switch is activated, it will OPEN).

See Table 2 and Fig. 7 on page 5 for more information. The default setting is "N.O."

AUTO ZERO

The purpose of the auto zero function is to allow the user to adjust the device to local ambient atmospheric pressure and to compensate for drift. To use this function properly, the

device must be mounted in the application and the pressure sensor exposed to local ambient atmospheric pressure (i.e. 0 bar relative pressure).

- Yes: The device takes the current local ambient atmospheric pressure as its zero.
- No: The device setting remains unchanged. The default setting is "No".

SET ZERO

The difference between the pressure value you enter in this screen and the pressure which the device is currently measuring will be taken as the offset. This offset can be reset to zero using the reset zero option (see section "Reset Zero" below).

The default setting is the pressure which the device is currently measuring (meaning that the offset is then zero).

ERROR MESSAGE: "VALUE OUT OF RANGE"

If you have set a zero outside the permissible range ($\pm 25\%$ full-scale), this error message will appear, whereupon you should then enter a correct value.

RESET ZERO

Here, you can reset the zero:

- Yes: The pressure offset will be set to zero.
- No: The device setting remains unchanged. The default setting is "No".

DROP-IN

Here, you can select the drop-in value. See also Fig. 8. Possible values range from 0 to 99 seconds. The default setting is "0" seconds.

DROP-OUT

Here, you can select the drop-out value. See also Fig. 8. Possible values range from 0 to 99 seconds. The default setting is "0" seconds.

PEAKS

Here, you can view the historical max. and min. measured pressures as well as the max. measured temperature (historical = measured since the device has been put into operation / since the last time the peaks were cleared). If desired, by proceeding to "Clear" and choosing "yes," you can also permanently erase all such values. All such peaks will then be erased and the recording of peaks will be re-initiated.

DISPLAY

Here, you can select/alter various modes of displaying screen information.

UNIT

Here, you can choose the units in which the device displays pressures:

- bar: pressure will be displayed in bars.
- Pa: pressure will be displayed in Pascals.
- Psi: pressure will be displayed in pounds / in².
- %: pressure will be displayed as a percentage of FS. The default setting is "bar".

LANGUAGE

English is the supported language.

BACKLIGHT

Here, you can select how the device's screen backlight should operate:

- Always: The backlight will remain ON at all times.
- Demand: The backlight will come ON whenever the device's keys are operated, and remain ON for 25 s.
- Never: The backlight is shut OFF permanently.

The default setting is "Never".

REFRESH

Here, you can set how often (in seconds) the screen contents should be refreshed (i.e. refilled with freshly-measured data).

Possible values range from 1 to 9 seconds.

The default setting is "1" sec.

ROTATE

Here, you can permanently rotate (by 0°, 90°, 180°, or 270°) the orientation in which the screen's contents are displayed.

This is for easier viewing / enhanced legibility.

The default setting is "0" degrees (i.e. screen contents vertical when device mounted in upright position).

CONTRAST

Here, you can choose the degree of contrast with which the screen's contents are displayed:

- Min.: The contrast is decreased to its minimum value;
- Mean: The contrast is set to its mean value;
- Max.: The contrast is increased to its maximum value.

The default setting is "Mean".

EXTRAS

SIMUL. (= SIMULATION MODE)

The simulation mode allows the user to test the device within the application without actually applying pressure.

When the simulation mode is initiated, the device's diagnostic features are not active, and use of the device in an active safety application is impossible.

After leaving the simulation mode and returning to the normal operating mode, the device is again ready for use in safety applications.

- Yes: The simulation mode is started.
- No: The device remains in its normal operating mode.

The default setting is "No".



After you have completed testing in the simulation mode, do not forget to return to this screen and re-instate the active operating mode.

SET CODE

Here, you can change the ENTRY CODE. After leaving the PARAMETRIZATION LEVEL and proceeding through the CONFIRMATION LEVEL, the new ENTRY CODE will then be in effect.

RESET

Here, you can re-instate all factory (i.e. default) settings:

- Yes: All factory settings are re-instated.
- No: currently-set values are retained.

PLAUSIBILITY CHECK

Upon attempting to leave the PARAMETRIZATION LEVEL, the device will determine two checks to determine the plausibility of your values.

ERROR MESSAGE: "MIN. DISTANCE BETW. SET-PT. AND RESET-PT. IS 0.5% FS. PLEASE CORRECT PARAMS"

The difference between the set-point and the reset-point will be checked. If the distance is too small (i.e. less than 0.5% of the full-scale), this error message will appear.

ERROR MESSAGE: "OFFSET MUST BE BETWEEN -25%FS & +25%FS. PLEASE CORRECT"

The offset will also be checked. If the offset is not within 25% of the full-scale, this error message will appear.

CONFIRMATION LEVEL

Here, you have the opportunity of once again viewing all of the device's settings (including any changes you may have made) in a quick overview. If you reject any settings, you will be automatically redirected to the PARAMETRIZATION LEVEL. If you accept all settings, these values will be permanently stored, and you will be automatically redirected to the DISPLAY LEVEL.

IMPORTANT

You should be completely satisfied with the correctness of the settings displayed in the CONFIRMATION LEVEL. As soon as you complete the CONFIRMATION LEVEL, all of these settings will become effective.

OUTPUT DESCRIPTION

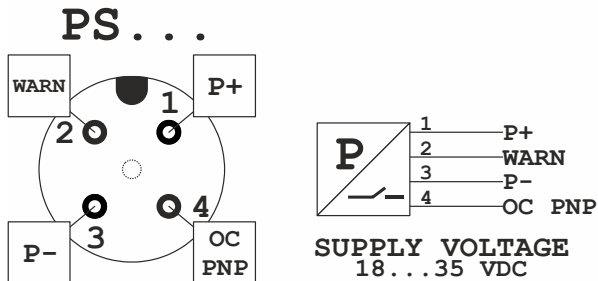


Fig. 6. Pin assignment of A-coded M12 plug

NOTE: The unit and any field devices (actuators, sensors, etc.) to which it is electrically connected must be provided with a common ground via pin 3.

The initial conditions of the device's signal outputs are as follows:

Table 1. DCM DIFF Switch signal outputs after power-up

WARN (pin 2)	POWER	OUTPUT (pin 4)
passive	--	open

NOTE: The WARN output (pin 2) is an auxiliary output used for signaling errors. It cannot be used to drive high loads.

BEHAVIOR IN OVERCURRENT CONDITIONS

In order to prevent damage of the device electronics, the device measures the current flowing into the load. If the current flowing from the switch output to the load exceeds 250 mA, the load is automatically disconnected and the WARN output is set to < 0.5 V for 5 sec. The load is then reconnected, the current is measured again, and the WARN output is set to the power supply voltage. If the current is still greater than 250 mA, the load is disconnected and the WARN output is set to < 0.5 V... in a loop.

Table 2. DCM DIFF Switch functions and definitions

definition	function	equation	"active" =	"inactive" =
max. monitor	N.O.	1	closed	open
max. monitor	N.C.	1	open	closed
min. monitor	N.O.	1	open	closed
min. monitor	N.C.	1	closed	open
window monitor	N.O.	2	closed	open
window monitor	N.C.	2	open	closed

Equation 1 (min./max. monitor):

$$y_{n+1} = \begin{cases} \text{active} & x \geq USP \\ \text{inactive} & x \leq LSP \\ y_n & \text{otherwise} \end{cases}$$

Equation 2 (window monitor):

$$y_{n+1} = \begin{cases} \text{active} & LSP \leq x \leq USP \\ \text{inactive} & x \leq LSP \text{ minus } (0.5\% \times \text{range}) \\ \text{Inactive} & x \geq LSP \text{ plus } (0.5\% \times \text{range}) \\ y_n & \text{otherwise} \end{cases}$$

Where

- y_n is the analog output value as determined in the previous cycle,
- y_{n+1} is the analog output value as determined in the current cycle, and
- x is the current measured pressure.

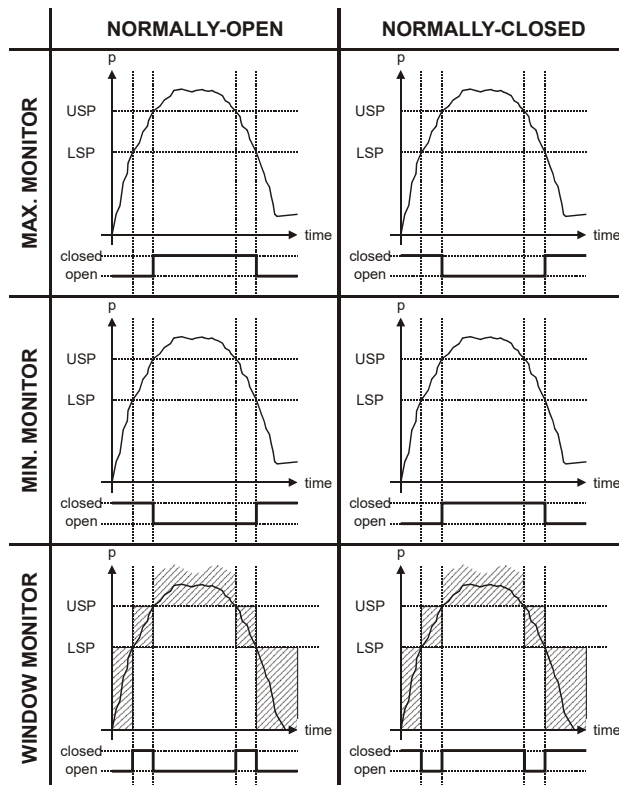
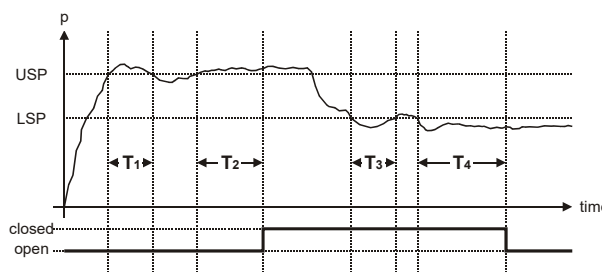


Fig. 7. DCM DIFF Switch output (max./min./window monitor)

N.O. MAX. MONITOR (OR N.C. MIN. MONITOR)



LEGEND:
 T1 less than drop-in time
 T2 greater than or equal to drop-in time
 T3 less than drop-out time
 T4 greater than or equal to drop-out time

Fig. 8. Drop-in / drop-out time

SN DIFF TRANSMITTER SEQUENCE OF SCREENS

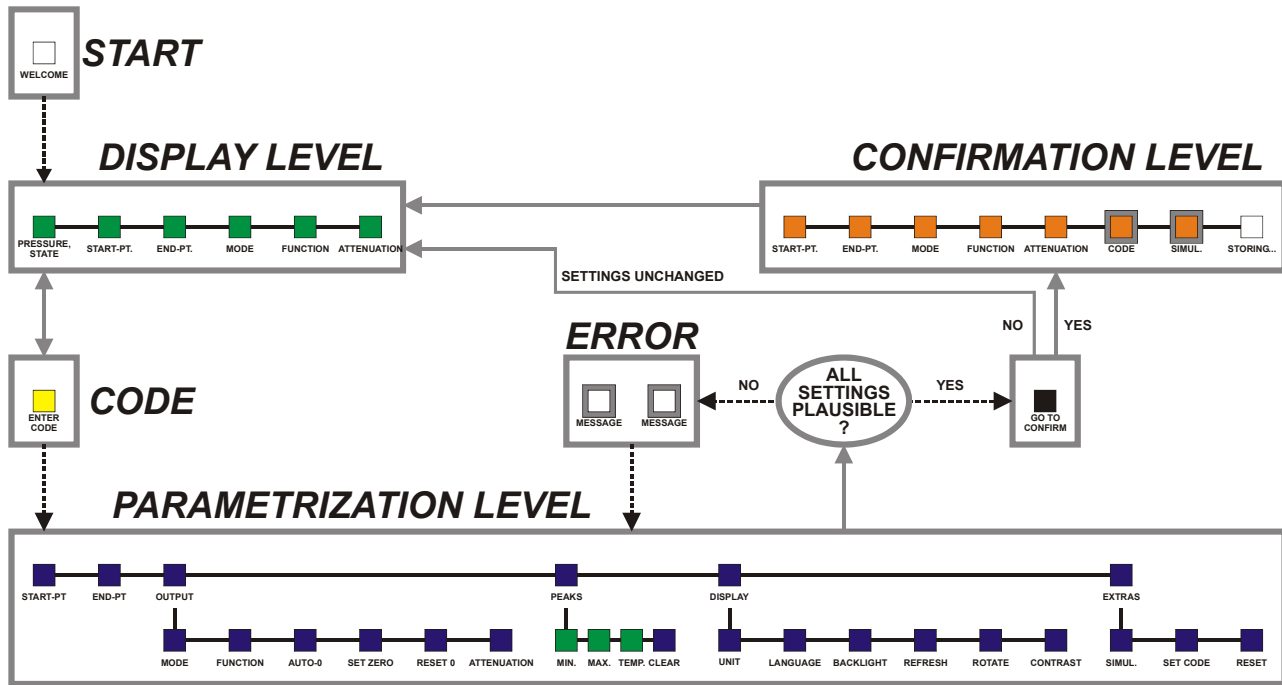


Fig. 9. Sequence of screens – Overview (SN DIFF Transmitter)

Devices equipped with an HMI (Human-Machine-Interface) feature pushbuttons and a display, allowing easy configuration by means of a menu structure. The menu structure is divided into the following segments:

- The START SCREEN;
- The DISPLAY LEVEL (where information including the current pressure and parameterized values are shown but cannot be edited);
- The CODE area (where you will have to enter the correct four-digit CODE in order to proceed any further);
- The PARAMETRIZATION LEVEL (where you can edit various different parameters);
- A ERROR-CHECKING area (where the device will check the plausibility of your values and, if necessary, redirect you back to the PARAMETRIZATION LEVEL); and
- The CONFIRMATION LEVEL (where you can review your edited values before permanently storing them).

START SCREEN

Within 10 seconds of powering-up the device, an initial screen – the START SCREEN - will appear briefly (see Fig. 10).

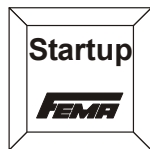


Fig. 10. Start screen

You will then be automatically directed to the DISPLAY LEVEL.

DISPLAY LEVEL

In the DISPLAY LEVEL, you can view the current pressure as well as the various different user-settings currently in force.

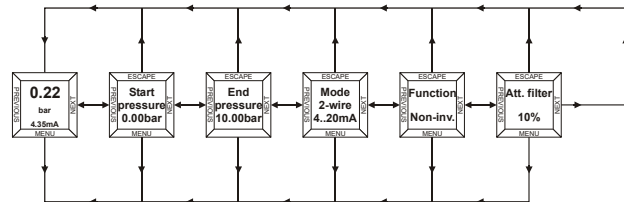


Fig. 11. DISPLAY LEVEL (example: SN DIFF 2-Wire)

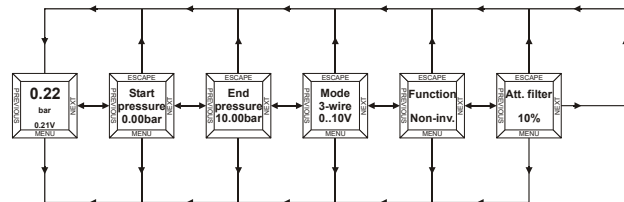


Fig. 12. DISPLAY LEVEL (example: SN DIFF 3-Wire)

ENTERING THE ENTRY CODE

In order to gain access to the PARAMETRIZATION LEVEL (where you can edit values), it is first necessary to show that you have the requisite authorization by entering the correct four-digit ENTRY CODE (default: 0000).

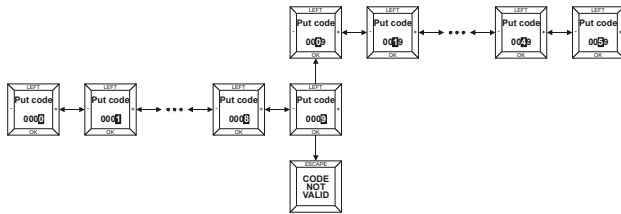


Fig. 13. Entering the ENTRY CODE

PARAMETRIZATION LEVEL

Once you have successfully entered the ENTRY CODE and thus gained access to the PARAMETRIZATION LEVEL, you can edit values and reconfigure the device.

NOTE: The currently set option (e.g. "yes," "no," "4...20 mA", etc.) is always marked in the display screen with a small dot to the left (see Fig. 5).

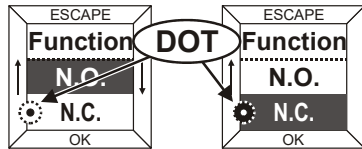


Fig. 14. Dot indicating present setting

START-PT.

In this screen, you can select the start-point. This is defined as the pressure at which you want the device to begin providing an analog output signal. The default setting is "0".

ERROR MESSAGE: "VALUE OUT OF RANGE"

If you have entered a start-point outside of the device's specified pressure measurement range or which is for any other reason not rational, this error message will appear, whereupon you should then enter a correct value.

END-PT.

In this screen, you can select the end point. This is defined as the pressure at which you want the device to stop providing an analog output signal. The default setting is 100% of full-scale.

ERROR MESSAGE: "VALUE OUT OF RANGE"

If you have entered an end-point outside of the device's specified pressure measurement range or which is for any other reason not rational, this error message will appear, whereupon you should then enter a correct value.

OUTPUT

MODE

Here, you can set the device's mode. Four different modes are possible:

- 0...10V: the voltage range is set to 0...10 V;
- 0...20mA: the current range is set to 0...20 mA;
- 2...10V: the voltage range is set to 2...10 V;
- 4...20mA: the current range is set to 4...20 mA (default).

NOTE: The only mode supported by the SN DIFF 2-Wire Transmitter is "4...20 mA". However, it can be inverted to "20...4 mA" (see section "Function" below).

FUNCTION

Here, you can invert the device's function (see also Fig. 15):

- Non-invert.: the mode (current range or voltage range, as the case may be) is set to 0/4...20 mA or 0/2...10 V (as the case may be) (default);
- Inverted: the mode (current range or voltage range, as the case may be) is set to 20...0/4 mA or 10...0/2 V (as the case may be).

The default setting is "non-invert."

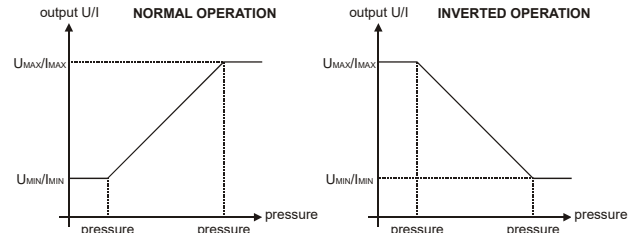


Fig. 15. SN DIFF Transmitter output (normal/inverted)

AUTO ZERO

The purpose of the auto zero function is to allow the user to adjust the device to local ambient atmospheric pressure and to compensate for drift. To use this function properly, the device must be mounted in the application and the pressure sensor exposed to local ambient atmospheric pressure (i.e. 0 bar relative pressure).

- Yes: The device takes the current local ambient atmospheric pressure as its zero.
 - No: The device setting remains unchanged.
- The default setting is "No".

SET ZERO

The difference between the pressure value you enter in this screen and the pressure which the device is currently measuring will be taken as the offset. This offset can be reset to zero using the reset zero option (see section "Reset Zero" below).

The default setting is the pressure which the device is currently measuring (meaning that the offset is then zero).

ERROR MESSAGE: "VALUE OUT OF RANGE"

If you have set a zero outside the permissible range (±25% full-scale), this error message will appear, whereupon you should then enter a correct value.

RESET ZERO

Here, you can reset the zero:

- Yes: The pressure offset will be set to zero.
- No: The device setting remains unchanged.

The default setting is "No".

ATT. FILTER

Here, you can attenuate (dampen) the outputted portion of the peak. Possible values range from 0 to 99%. The default setting is "10" percent.

The formula for calculating the attenuation is as follows:

$$y_n = (1 - \frac{attenuation}{100})x_n + \frac{attenuation}{100}y_{n-1}$$

Where

- y_n is the analog output value
- x_n is the measured offset-compensated pressure in this cycle
- y_{n-1} is the analog output value generated in the previous cycle

PEAKS

Here, you can view the historical max. and min. measured pressures as well as the max. measured temperature (historical = measured since the device has been put into operation / since the last time the peaks were cleared). If desired, by proceeding to "Clear" and choosing "yes," you can also permanently erase all such values. All such peaks will then be erased and the recording of peaks will be re-initiated.

DISPLAY

Here, you can select/alter various modes of displaying screen information.

UNIT

Here, you can choose the units in which the device displays pressures:

- bar: pressure will be displayed in bars.
- Pa: pressure will be displayed in Pascals.
- Psi: pressure will be displayed in pounds / in².
- %: pressure will be displayed as a percentage of FS.

The default setting is "bar".

LANGUAGE

English is the supported language.

BACKLIGHT

Here, you can select how the device's screen backlight should operate:

- Always: The backlight will remain ON at all times.
- Demand: The backlight will come ON whenever the device's keys are operated, and remain ON for 25 sec.
- Never: The backlight is shut OFF permanently.

The default setting is "Never"

NOTE: The only backlight option supported by the SN DIFF 2-Wire Transmitter is "Never."

REFRESH

Here, you can set how often (in seconds) the screen contents should be refreshed (i.e. refilled with freshly-measured data). Possible values range from 1 to 9 seconds. The default setting is "1" sec.

ROTATE

Here, you can permanently rotate (by 0°, 90°, 180°, or 270°) the orientation in which the screen's contents are displayed. This is for easier viewing / enhanced legibility. The default setting is "0" degrees (i.e. screen contents vertical when device mounted in upright position).

CONTRAST

Here, you can choose the degree of contrast with which the screen's contents are displayed:

- Min.: The contrast is decreased to its minimum value;
- Mean: The contrast is set to its mean value;
- Max.: The contrast is increased to its maximum value.

The default setting is "Mean".

EXTRAS

SIMUL. (= SIMULATION MODE)

The simulation mode allows the user to test the device within the application without actually applying pressure. When the simulation mode is initiated, the device's diagnostic features are not active, and use of the device in an active safety application is impossible.

After leaving the simulation mode and returning to the normal operating mode, the device is again ready for use in safety applications.

- Yes: The simulation mode is started.
- No: The device remains in its normal operating mode.

The default setting is "No".

WARNING

After you have completed testing in the simulation mode, do not forget to return to this screen and re-instate the active operating mode.

SET CODE

Here, you can change the ENTRY CODE. After leaving the PARAMETRIZATION LEVEL and proceeding through the CONFIRMATION LEVEL, the new ENTRY CODE will then be in effect.

RESET

Here, you can re-instate all factory (i.e. default) settings:

- Yes: All factory settings are re-instated.
- No: currently-set values are retained.

PLAUSIBILITY CHECK

Upon attempting to leave the PARAMETRIZATION LEVEL, the device will perform two checks to determine the plausibility of your values.

ERROR MESSAGE: "MIN. DISTANCE BETW. START-PT. AND END-PT. IS 50% FS. PLEASE CORRECT PARAMS"

The difference between the set-point and the reset-point will be checked. If the distance is too small (i.e. less than 50% of the full-scale), this error message will appear.

ERROR MESSAGE: "OFFSET MUST BE BETWEEN -25%FS & +25%FS. PLEASE CORRECT"

The offset will also be checked. If the offset is not within 25% of the full-scale, this error message will appear.

CONFIRMATION LEVEL

Here, you have the opportunity of once again viewing all of the device's settings (including any changes you may have made) in a quick overview. If you reject any settings, you will be automatically redirected to the PARAMETRIZATION LEVEL. If you accept all settings, these values will be permanently stored, and you will be automatically redirected to the DISPLAY LEVEL.

IMPORTANT

You should be completely satisfied with the correctness of the settings displayed in the CONFIRMATION LEVEL. As soon as you complete the CONFIRMATION LEVEL, all of these settings will become effective.

OUTPUT DESCRIPTION

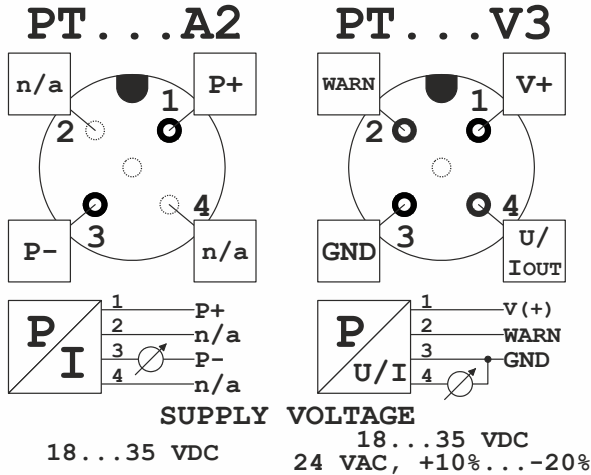


Fig. 16. Pin assignment of A-coded M12 plug

NOTE: The unit and any field devices (actuators, sensors, etc.) to which it is electrically connected must be provided with a common ground via pin 3.

The initial conditions of the device's signal outputs are as follows:

Table 3. SN DIFF Transmitter signal outputs after power-up

device	output signal range	WARN	power	output (pin 4)
2-Wire	4...20 mA	not used	< 3.6 mA	not used
3-Wire	4...20 mA	passive	--	0 mA
	2...10 V	passive	--	2 V
	0...20 mA	passive	--	0 mA
	0...10 V	passive	--	0 V

The output limits of the device's outputs at overpressure and underpressure are as follows:

Table 4. SN DIFF Transmitter output limits at over- / underpressure

device	output signal range	min. output limit	max. output limit
2-Wire	4...20 mA	3.8 mA	20.5 mA
3-Wire	4...20 mA	3.8 mA	20.5 mA
	2...10 V	1.8 V	10.5 V
	0...20 mA	0 mA	20.5 mA
	0...10 V	0 V	10.5 V

Table 5. SN DIFF Transmitter parameters

parameter	description	range
analog start-pt.	pressure mapped to upper limit of output range	min. pressure (analog end minus 50%FS)
analog end-pt.	pressure mapped to lower limit of output range	max. pressure (analog start plus 50%FS)
offset	user-adjustable offset to compensate for local atmospheric pressure and drift	±25%FS
definition	selection of output signal	0...20 mA, 4...20 mA 0...10 V, 2...10 V
function	selecting normal / inverted output characteristics	non-inverted; inverted
attenuation	weight (in %) of previous value in attenuation filter	0 ... 99

REMARKS AS PER EN 61010-1**PREREQUISITES FOR MOUNTING**

The unit is not suitable for mounting in explosive environments.

The unit may be operated only within the specified technical limits.

CONNECTION

In the case of units with stationary mounting, the following requirements must be observed:

Minimum cross-sectional diameter of wiring: 0.75 mm²

POWER FAILURE

In the event of a power failure, the device will cease operation. After power is returned, the device will, after a brief (2-3 sec) initialization period, resume normal functioning. Because its memory is stored on EPROM, no re-parametrization is necessary.

CLEANING AGENTS

All commercial cleaning agents approved for use in the food industry and for stainless steel 1.4404 are permitted.

NOTE: Never insert sharp implements into the pressure lines as this can damage the membranes!

MISUSE OF UNIT

Installing/operating this device contrary to these Operating Instructions can impair its proper functioning / result in malfunctioning and device damage - result in danger of injury.

RECALIBRATION

It is not possible to recalibrate the device in the field, nor does it contain any field-reparable parts. For recalibration or repair, contact FEMA.

**SAFETY FUNCTION (D.C. SUPPLY, ONLY)
SN DIFF TRANSMITTER**

Measuring pressures is the safety function of the d.c.-supplied devices. It is applicable for 2-wire (4...20 mA) and 3-wire versions (0/4...20 mA and 0/2...10 V with auxiliary WARN output) and ensures an accuracy of 1% of the measured value within this range.

The safety function ensures that, in the worst-case scenario, the diagnosis function responds within 45 seconds.

The transmitter's output is updated according to Fig. 15 on page 7. The X-axis of the characteristic indicates the measured pressure after application of the offset compensation and the attenuation filter. The Y-axis displays the generated output in the range according to the output definition (see Fig. 15 on page 7 and Table 5 on page 9).

DCM DIFF SWITCH

Measuring pressures is the safety function of the d.c.-supplied devices. The device will act within an accuracy of 1% as a Max., Min., or Window monitor (switch output and auxiliary WARN output), depending upon the device settings. The switch output is in the "open" state (see Table 7) whenever the prerequisites for the "open" state are fulfilled.

ERROR STATES

While the device is in operation, it provides continuous supervision. The diagnostics detect errors in the application (e.g. when the desired output signal is not reached), in the electronics (e.g. in the event of miswiring or defective circuitry), as well as sensor defects and runtime errors in the software.

If an error occurs, it will be signaled on the signal output and/or WARN output within a maximum of 45 seconds, and the display illumination will turn RED and remain RED until the error has been eliminated.

There are two classes of errors: recoverable errors and unrecoverable errors.

RECOVERABLE ERRORS

Recoverable errors can be solved by a software reset:

After the error is recognized, it is reported at the signal output and the WARN output for 5 seconds. After that, the device performs an automatic software reset (i.e. the signal output will go into the start-up condition and the device will be re-initialized). The device will then resume normal operation.

UNRECOVERABLE ERRORS

If (after an automatic software reset) the error is still detected or it recurs during the next 10 minutes of operation, the error is reclassified as unrecoverable. This means that it cannot be resolved without interaction of the user. If, however, the error does not recur within 10 minutes, the device will resume normal operation.

Unrecoverable errors can be resolved only by means of a hardware reset. A hardware reset is performed by disconnecting the device from the power supply for at least 10 seconds.

REMEDYING AN UNRECOVERABLE ERROR SETTING

If an unrecoverable error is indicated, you can try to solve the issue by powering down the device and eliminating the error conditions (e.g. miswiring, overtemperature, overpressure). A hardware reset is performed by disconnecting the device from the power supply for at least 10 seconds.

NOTE: If the error persists, contact FEMA.

OUTPUT LEVELS AND OUTPUT BEHAVIOR

SN DIFF TRANSMITTER

2-WIRE VERSION

The 2-wire version signalizes an error via the current loop signal.

3-WIRE VERSION

NOTE: If either analog range 0...10 V or analog range 0...20 mA is used, then the WARN output must also be used.

The 3-wire version signalizes an error via the signal output (pin 4) and the WARN output (pin 2).

If (due to miswiring or electronic failure) the signal output cannot reach the desired "high" failure state, it will automatically go to the "low" failure state.

Table 6. SN DIFF Transmitter error reporting

device	output signal range	error reporting		WARN output (pin 2)
		primary, "high" failure state	secondary, "low" failure state	
2-wire	4...20 mA	loop current > 21 mA	loop current < 3.6 mA	NOTE 1
3-wire	0...20 mA	output > 21 mA	output = 0 mA NOTE 2	< 0.5 V
	4...20 mA	output > 21 mA	output < 3.6 mA	< 0.5 V
	0...10 V	output > 11 V	output = 0 V NOTE 2	< 0.5 V
	2...10 V	output > 11 V	output < 1.5 V	< 0.5 V

NOTE 1: The 2-Wire Transmitter has no WARN output.
NOTE 2: This a valid signal; it is therefore necessary to use the WARN output.

DCM DIFF SWITCH

Table 7. DCM DIFF Switch error reporting

device	output signal range	error reporting		WARN output (pin 2)
		primary, "high" failure state	secondary, "low" failure state	
switch	open / closed	open	open*	< 0.5 V

*It is still necessary to use the WARN output to cover "blocked closed output transistor error."

ERROR MESSAGES

Table 8 lists all error messages which can appear in the display screen during operation.

Table 8. DCM DIFF Switch / SN DIFF Transmitter error messages

screen contents	description / cause	recoverable (R) / unrecoverable (U)	remedy
0	No error.	--	No action necessary.
1	Electronics failure.	R/U	If U: Contact FEMA.
4	Electronics failure or sensor failure.	R/U	If U: Contact FEMA.
5	Electronics failure or miswiring.	R/U	Check wiring (current meter used for current output? Voltmeter used for voltage output?). Correct detected errors and perform a hardware reset as described above. If U: Contact FEMA.
6	Device memory check failure.	R/U	Hardware reset as described above. Contact FEMA.
7	Device program flow failure.	R/U	If U: Contact FEMA.
8	Environment too hot or electronics failure.	U	Eliminate overtemperature conditions. Perform hardware reset as described above. Contact FEMA.
10	Electronics failure.	U	Contact FEMA.
11	Electronics failure or data processing error.	U	Contact FEMA.
12	Data processing error.	R/U	If U: Contact FEMA.
13	Pressure exceeds overpressure, resulting in sensor failure.	R/U	Eliminate overpressure conditions. Perform hardware reset as described above. If this does not help: Contact FEMA. (See Table 9 and Table 10.)
15	Device memory check failure.	R/U	Perform hardware reset as described above. If this does not help: Contact FEMA.
16	Electronics (microcontroller) failure.	R/U	If U: Contact FEMA.
17	Damage to application state data.	R/U	Perform hardware reset as described above. If this does not help: Contact FEMA.
18	Electronics error.	R/U	If U: Contact FEMA.
19	Electronics or data processing error.	R/U	If U: Contact FEMA.
20	Electronics or sensor error.	R/U	If U: Contact FEMA.
21	Electronics error.	R/U	If U: Contact FEMA.
22	Electronics or data processing error.	U	Contact FEMA.

MAX. PERMISSIBLE PRESSURES

Table 9. Sensor properties of Transmitters

2-wire, with HMI	3-wire, with HMI	3-wire, 0...10 V, w/o HMI	diff. pressure measurement range	overrange pressure	overrange pressure ("Err. 13")*	sensor burst pressure (Hi > Lo)**	sensor burst pressure (Lo > Hi)**	max. allowable sys. pressure
PTHDM1002A2	PTHDM1002V3	PTSDM1002V3	0 ... 100 mbar	200 mbar	200...400 mbar	≥ 400 mbar	≥ 400 mbar	70 bar
PTHDM3002A2	PTHDM3002V3	PTSDM3002V3	0 ... 300 mbar	600 mbar	600...1200 mbar	≥ 1200 mbar	≥ 1200 mbar	70 bar
PTHDB0012A2	PTHDB0012V3	PTSDB0012V3	0 ... 1 bar	2.0 bar	2.0...4.0 bar	≥ 4 bar	≥ 4 bar	70 bar
PTHDB0032A2	PTHDB0032V3	PTSDB0032V3	0 ... 3 bar	6.0 bar	6.0...12.0 bar	≥ 12 bar	≥ 8 bar	70 bar
PTHDB0062A2	PTHDB0062V3	PTSDB0062V3	0 ... 6 bar	12 bar	12.0...24.0 bar	≥ 24 bar	≥ 8 bar	70 bar
PTHDB0202A2	PTHDB0202V3	PTSDB0202V3	0 ... 20 bar	40 bar	40.0...80.0 bar	≥ 80 bar	≥ 8 bar	70 bar

* Err. 13, recoverable (R); ** Err. 13, unrecoverable (U)

Table 10. Sensor properties of Switches

OS no.	differential pressure measurement range	overrange pressure	overrange pressure ("Err. 13")*	sensor burst pressure (Hi > Lo)**	sensor burst pressure (Lo > Hi)**	max. allowable system pressure
PSHDM1002	0 ... 100 mbar	200 mbar	200...400 mbar	≥ 400 mbar	≥ 400 mbar	70 bar
PSHDM3002	0 ... 300 mbar	600 mbar	600...1200 mbar	≥ 1200 mbar	≥ 1200 mbar	70 bar
PSHDB0012	0 ... 1 bar	2.0 bar	2.0...4.0 bar	≥ 4 bar	≥ 4 bar	70 bar
PSHDB0032	0 ... 3 bar	6.0 bar	6.0...12.0 bar	≥ 12 bar	≥ 8 bar	70 bar
PSHDB0062	0 ... 6 bar	12 bar	12.0...24.0 bar	≥ 24 bar	≥ 8 bar	70 bar
PSHDB0202	0 ... 20 bar	40 bar	40.0...80.0 bar	≥ 80 bar	≥ 8 bar	70 bar

* Err. 13, recoverable (R); ** Err. 13, unrecoverable (U)



Manufactured for and on behalf of the Connected Building Division of Honeywell Products and Solutions Sàrl, Z.A. La Pièce 16, 1180 Rolle, Switzerland by its Authorized Representative:

Home and Building Technologies

Böblinger Strasse 17
 71101 Schönaich / Germany
 Phone: (49) 7031 637 - 01
 Fax: (49) 7031 637 - 493
<http://ecc.emea.honeywell.com>
 MU2B-0343GE51 R0220D

Subject to change without notice.

Printed in Hungary.

www.fema.biz

Smart DCM/SN DIFF

ELEKTRONISCHE DIFFERENZDRUCKSCHALTER UND -TRANSMITTER

BEDIENUNGSANLEITUNG

ALLGEMEINES

Differenzdruckschalter und -transmitter der Baureihe Smart DCM DIFF und Smart SN DIFF von Honeywell FEMA sind mikroprozessor-gesteuerte Druckmessgeräte zur Messung von Differentialdrücken (0...20 bar). Sie sind bestens geeignet für vielfältige Einsatzbereiche, u.a. zur genauen Erfassung, Überwachung und Regelung von Systemdrücken. Der M12x1 Winkelstecker ist im Lieferumfang enthalten. Die Geräte werden direkt in die Druckleitung eingeschraubt (2 x G $\frac{1}{4}$ ").



BITTE BEACHTEN!

GÜLTIGKEIT

Diese Bedienungsanleitung bezieht sich auf Meßsysteme, die Smart DCM/SN DIFF Differenzdruckschalter und -transmitter beinhalten. Voraussetzung: Geräte-Software Version 1.30+.

VERWENDUNG

Bei der Konfiguration und Inbetriebnahme des Geräts darf nur diese Bedienungsanleitung (sowie dazugehörigen Montageanleitungen) verwendet werden. Nur qualifizierte Fachkräfte dürfen das Gerät einbauen, einstellen, in Betrieb nehmen und warten. Das Gerät ist ausschließlich unter den vorliegenden Bedingungen und zu den vorgesehenen Zwecken zu betreiben.



VORSICHT

**Keine Netzspannung an das Gerät anlegen!
Das Gerät nicht im Felde öffnen.**

TECHNISCHE DATEN

WERKSTOFFE

Mediumberührte Teile	Edelstahl 316L (AISI)
Chemische Beständigkeit	4C4 gemäß EN 60721-3-4
HMI	PA66 GB30
Gesamtgewicht	520 g ohne, 600 g mit HMI

UMGEBUNGSTEMPERATUREN UND -FEUCHTIGKEIT (BEI BETRIEB)

Versionen ohne HMI	-20...+80 °C
Versionen mit HMI	-20...+70 °C

Genauigkeit (kombinierte Nichtlinearität, Hysterese und Reproduzierbarkeit bei 20 °C), Temperatureinfluß auf Meßbereich und auf Kalibrierung sowie Langzeitdrift (innerhalb Temperaturkompensationsbereich von 0...80 °C)

Geräte mit Diff.-Druckmeßbereichen von...	Parameter	max.	typisch
0 ... 100 mbar	Genauigkeit	±1,0% FS	--
	Temp.-einfluß auf Meßbereich	±1,2% FS / 10 K	±0,5% FS / 10 K
	Temp.-einfluß auf Kalibrierung	±1,2% FS / 10 K	±0,5% FS / 10 K
	Langzeitdrift	±0,5% FS / Jahr	±0,25% FS / Jahr
0 ... 300 mbar, 0 ... 1 bar, 0 ... 3 bar, 0 ... 6 bar, 0 ... 20 bar	Genauigkeit	±1,0% FS	--
	Temp.-einfluß auf Meßbereich	±0,4% FS / 10 K	±0,2% FS / 10 K
	Temp.-einfluß auf Kalibrierung	±0,4% FS / 10 K	±0,2% FS / 10 K
	Langzeitdrift	±0,5% FS / Jahr	±0,25% FS / Jahr

Rel. Luftfeuchtigkeit 0...95%, nicht-kondensierend
Mediumtemperatur -20...+80 °C

LAGERTEMPERATUR

Versionen ohne HMI -40...+100 °C
Versionen mit HMI -30...+80 °C

KLIMAKLASSE

Innenräume 4K4H gemäß EN 60721-3-4
Im Freien 3K8H gemäß EN 60721-3-3

MECHANISCHE FESTIGKEIT

Schwingungen 10 g gem. IEC 68-2-6 (bis 2000 Hz)
Mechan. Erschütterungen 50 g gemäß IEC 68-2-27
Druckfestigkeit siehe Tabelle 9 auf Seite 24
Druckmessbereich 0...20 bar (Differenzdruck)
Taktzeit 100 ms

EMV gemäß EN 61326
Schutzklasse 2 gemäß EN 61010
Schutzart (ohne HMI) IP67 gemäß EN 60529-2 (mit M12 Stecker)

Schutzart (mit HMI) IP65 gemäß EN 60529-2 (mit M12 Stecker)

Prozessanschluss 2 x G $\frac{1}{4}$ " Innengewinde
Elektrischer Anschluß 4-poliger M12x1-Stecker, "A"

SCHALTER (OPEN-COLLECTOR-AUSGANG)

Max. Strombelastung 250 mA
Ausg., oberer Wert (min.) V_{VERSORG} minus 5 V
Ausg., unterer Wert (max.) GND plus 0,5 V
Antwortzeit max. 300 ms

WARN-Ausg.-Spannung

passiv: V_{VERSORG} minus 2 V
aktiv: ≤ 0,5 V
max. 20 mA Strombelastung

TRANSMITTER (ANALOG) AUSGANG

Strom (2-Leiter) 4...20 mA
Spannung/Strom (3-Leiter) 0/2...10 V, 0/4...20 mA
Spannungsvers. (2-Leiter) 18...35 VDC
Spannungsvers. (3-Leiter) 18...35 VDC, 24 VAC +10%/-20%, max. 50 mA
Stromausg. (max. Bürde) (V_{VERSORG} - 16 V) / 22 mA (max. Fehler ±0,25% FS)
Spann.-Ausgang (min. Last) 15 kΩ (max. Fehler ±0,25% FS)
Sprungantwort ca. 200 ms

DCM DIFF SCHALTER MENÜNAVIGATION

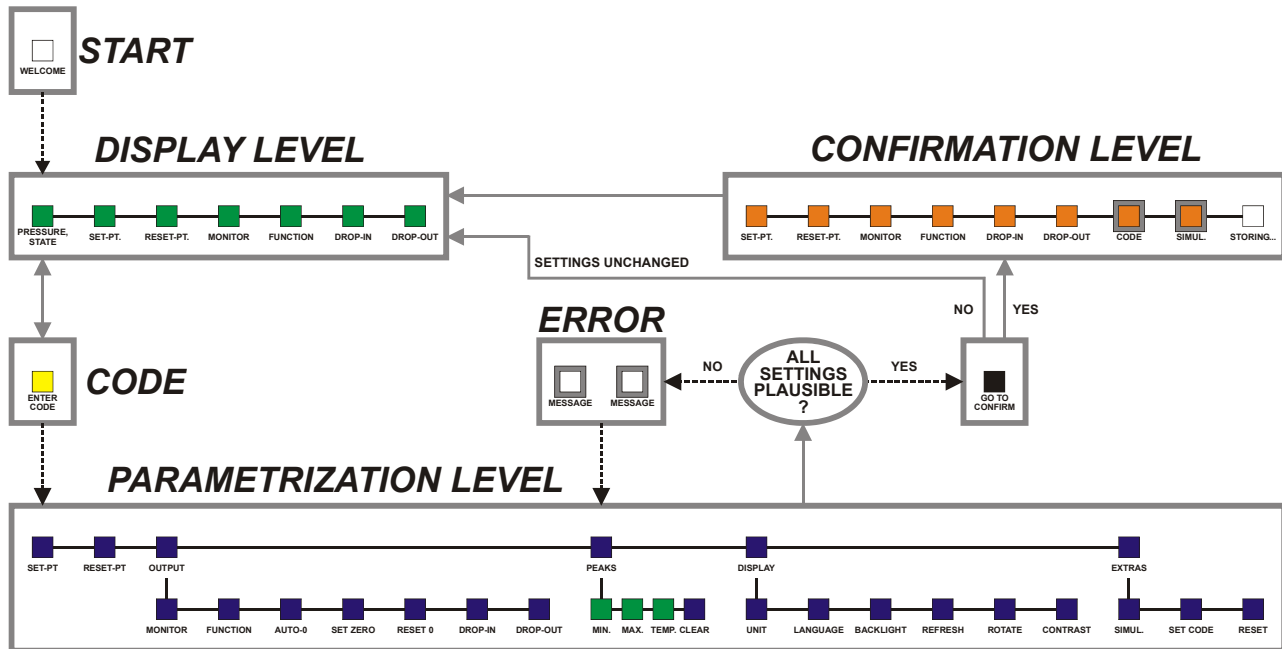


Abb. 1. Menünavigation - Übersicht (DCM DIFF Schalter)

Geräte, die mit einem HMI-Kopf ausgestattet sind, vereinfachen die Konfiguration mit Hilfe der Drucktasten und einer Anzeige. Die am Rande angezeigten Begriffe und Symbole erleichtern die Navigation durchs Menü.

Das Menü läßt sich in folgende Bereiche aufteilen:

- STARTANZEIGE;
- DISPLAY-BEREICH (Informationsanzeige einschließlich des aktuellen Drucks, sowie verschiedener Einstellwerte. Editieren ist hier nicht möglich);
- CODE-BEREICH (Eingabe des vierstelligen CODEs, um in die nächste Ebene zu gelangen);
- PARAMETRISIERUNGSBEREICH (Änderung verschiedener Einstellwerte);
- PRÜFBEREICH (Überprüfung auf korrekte Eingabe und ggfls. Zurückstufung in den PARAMETRISIERUNGSBEREICH); und
- BESTÄTIGUNGSBEREICH (Nochmalige Bestätigung der Einstellwerte, bevor sie dauerhaft gespeichert werden).

STARTANZEIGE

Binnen 10 Sekunden nach Einschalten des Geräts erscheint als erstes die STARTANZEIGE (siehe Abb. 2).



Abb. 2. Startanzeige

Danach gelangen Sie automatisch in den DISPLAY-BEREICH.

DISPLAYBEREICH

Im DISPLAYBEREICH können Sie den aktuellen Druck sowie diverse andere Einstellwerte sehen.

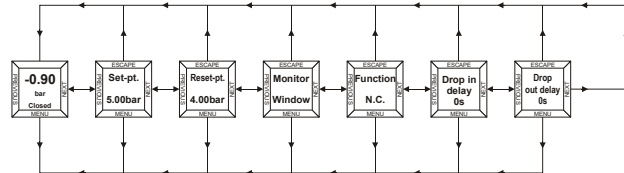


Abb. 3. DISPLAYBEREICH

EINGABE DES ZUGANGSCODES

Um in den PARAMETRISIERUNGSBEREICH zu gelangen und dort Einstellwerte ändern zu können, müssen Sie sich zuerst mit der erforderlichen Autorisierung ausweisen. Dies geschieht durch Eingabe des vierstelligen ZUGANGSCODEs (Standardwert: 0000).

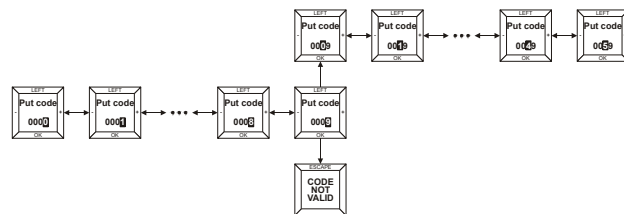


Abb. 4. Eingabe des ZUGANGSCODEs

PARAMETRISIERUNGSBEREICH

Nach Eingabe des richtigen ZUGANGSCODE und Gelangen in den PARAMETRISIERUNGSBEREICH können Sie Einstellwerte ändern sowie das Gerät umkonfigurieren.

HINWEIS: Die aktuelle Einstellung (z.B. "Ja", "Nein", "Fenster-Wächter" usw.) ist an einem kleinen Punkt zu erkennen (siehe Abb. 5).

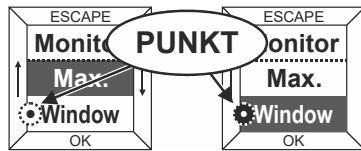


Abb. 5. Kennzeichnung der akt. Einstellung

SET-PT. (SCHALTPUNKT)

In diesem Menüfenster können Sie den Schalterpunkt einstellen. Der Schalterwert ist der Druck, bei dem das Gerät schalten soll.

Die Werkseinstellung beträgt 60% von FS.

FEHLERMELDUNG: "VALUE OUT OF RANGE"

Falls Sie einen Schalterwert gewählt haben, der außerhalb des zulässigen Druckmessbereichs oder inkorrekt ist, erscheint diese Fehlermeldung, worauf hin Sie einen richtigen Wert eingeben sollen.

RESET-PT. (RÜCKSCHALTPUNKT)

In diesem Menüfenster können Sie den Rückschaltpunkt einstellen. Der Rückschaltpunkt ist der Druck, bei dem das Gerät zurückschalten soll.

Die Werkseinstellung beträgt 40% von FS.

FEHLERMELDUNG: "VALUE OUT OF RANGE"

Falls Sie einen Rückschaltpunkt gewählt haben, der außerhalb des zulässigen Druckmessbereichs oder inkorrekt ist, erscheint diese Fehlermeldung, worauf hin Sie einen richtigen Wert eingeben sollen.

OUTPUT (AUSGABE)

MONITOR (ÜBERWACHUNGSMÖGLICHKEITEN)

Hier können Sie zwischen drei Überwachungsmöglichkeiten wählen: "min.", "max." und "window" ("Fenster").

- Min.;
- Max.;
- Window ("Fenster");

Siehe Abb. 7 auf S. 17 für eine Erklärung der Bedeutungen der verschiedenen Einstellungen.

Die Werkseinstellung ist "Max."

FUNCTION (FUNKTION)

Hier können Sie das gewünschte Verhalten des DCM DIFF Schalters wählen:

- N.O.: Schließer (d.h. bei Betätigung des Schalters schließt er); oder
- N.C.: Öffner (d.h. bei Betätigung des Schalters öffnet er).

Siehe Tabelle 2 sowie Abb. 7 auf S. 17 für mehr Informationen.

Die Werkseinstellung ist "N.O."

AUTO ZERO

Die "auto zero"-Funktion ermöglicht es dem Anwender, das Gerät entsprechend den lokalen atmosphärischen Druckverhältnissen einzustellen sowie die Drift auszugleichen. Um diese Funktion richtig anzuwenden, sollte das Gerät am Einsatzort eingebaut und der Druckfühler dem örtlichen Umgebungsdruck ausgesetzt sein (d.h. 0 bar Relativdruck).

- "Yes": Das Gerät übernimmt den örtlichen Umgebungsdruck als seinen Nullwert.
- "No": Die Geräteeinstellung bleibt unverändert. Die Werkseinstellung ist "No".

SET ZERO (NULLABGLEICH)

Der Unterschied zwischen dem Druckwert, den Sie in diesem Menüfenster eingeben, und dem aktuell gemessenen Druck stellt den Offset (Nullabgleich) dar. Dieser Nullabgleich kann mit dem "reset zero"-Option (siehe unten) wieder auf Null gestellt werden.

Die Standardeinstellung ist der aktuell gemessene Druck (d.h. der Nullabgleich beträgt dann Null).

FEHLERMELDUNG: "VALUE OUT OF RANGE"

Falls Sie einen "Nullabgleich" gewählt haben, der außerhalb des zulässigen Bereichs ($\pm 25\%$ FS) liegt, erscheint diese Fehlermeldung, worauf hin Sie einen richtigen Wert eingeben sollen.

RESET ZERO

Hier können Sie den Nullwert wieder einstellen:

- "Yes": Der Nullabgleich wird auf "Null" gesetzt.
- "No": Die Geräteeinstellung bleibt unverändert. Die Werkseinstellung ist "No".

DROP-IN (EINSCHALTVERZÖGERUNG)

Hier können Sie die Einschaltverzögerung einstellen. Siehe Abb. 8.

Sie ist wählbar zwischen 0..99 Sekunden.

Die Werkseinstellung beträgt "0" Sekunden.

DROP-OUT (AUSSCHALTVERZÖGERUNG)

Hier können Sie die Ausschaltverzögerung einstellen. Siehe Abb. 8.

Sie ist wählbar zwischen 0..99 Sekunden.

Die Werkseinstellung beträgt "0" Sekunden.

PEAKS (SPITZENWERTE)

Hier können Sie die historischen Maximal- und Minimaldrücke sehen sowie die Maximaltemperatur (historisch = gemessen seit Inbetriebnahme bzw. seit dem letzten Löschen der Spitzenwerte).

Falls erwünscht, können Sie zu "Clear" ("Löschen") vorgehen und "Yes" wählen; sämtliche gespeicherte Spitzenwerte werden dadurch gelöscht und die Aufzeichnung von Spitzenwerten wird wieder neu begonnen.

DISPLAY

Hier können Sie verschiedene Anzeigemodi auswählen.

UNIT (EINHEITEN)

Hier können Sie die Einheiten, in denen das Gerät den Druck anzeigt, wählen:

- bar: Der Druck wird in bar angezeigt.
- Pa: Der Druck wird in Pascal angezeigt.
- Psi: Der Druck wird in pounds / in² angezeigt.
- %: Der Druck wird in % des FS angezeigt.

Die Werkseinstellung ist "bar".

LANGUAGE (SPRACHE)

Die unterstützte Menüsprache ist ENGLISCH.

BACKLIGHT (HINTERGRUNDBELEUCHTUNG)

Hier können Sie die Hintergrundbeleuchtung einstellen:

- "Always": Die Hintergrundbeleuchtung bleibt immer EIN.
- "Demand": Die Hintergrundbeleuchtung geht an, sobald eine Taste betätigt wird und erlischt nach 25 Sek.
- "Never": Die Hintergrundbeleuchtung ist dauerhaft AUS.

Die Werkseinstellung ist "Never".

REFRESH (AKTUALISIEREN)

Hier können Sie die Aktualisierungsrate (in Sekunden) des Displayinhalts einstellen.

Mögliche Werte sind 1...9 Sekunden.

Die Werkseinstellung beträgt "1" Sek.

ROTATE (DREHEN)

Hier können Sie (zur besseren Lesbarkeit) die Ausrichtung des Displays dauerhaft um 0°, 90°, 180° oder 270° drehen.

Die Werkseinstellung ist "0" Grad (d.h. senkrechte Ausrichtung bei aufrechter Einbaulage).

CONTRAST (KONTRAST)

Hier können Sie den Kontrast des Displays einstellen:

- "Min.": Der Kontrast wird auf den Mindestwert eingestellt;
- "Mean": Der Kontrast wird auf den Mittelwert eingestellt;
- "Max.": Der Kontrast wird auf den Höchstwert eingestellt.

Die Werkseinstellung ist "Mean".

EXTRAS (ZUSATZFUNKTIONEN)

SIMUL. (SIMULATIONSMODUS)

Der Simulationsmodus ermöglicht es dem Anwender, die reibungslose Funktion des Geräts zu prüfen, ohne das System unter Druck zu setzen.

Nach Aufrufen des Simulationsmodus sind die Diagnostikfunktionen nicht wirksam, und das Gerät kann nicht in einer echten Sicherheitsanwendung eingesetzt werden.

Nach Verlassen des Simulationsmodus und Rückkehr in die normale Betriebsart kann das Gerät wieder in Sicherheitsanwendungen eingesetzt werden.

- "Yes": Der Simulationsmodus wird aufgerufen.
- "No": Das Gerät bleibt in seiner normalen Betriebsart.

Die Werkseinstellung ist "No".



VORSICHT

Nach Abschluß Ihres Tests im Simulationsmodus müssen Sie darauf achten, zu diesem Menüfenster zurückzukehren und die normale Betriebsart wieder zu aktivieren.

SET CODE (CODE EINSTELLEN)

Hier können Sie den ZUGANGSCODE neu definieren. Nach Verlassen des PARAMETRISIERUNGSBEREICHS und Durchlauf durch den BESTÄTIGUNGSBEREICH wird der neue ZUGANGSCODE dann wirksam.

RESET

Hier können Sie das Gerät wieder auf Werkseinstellung (d.h. Standardwerte) zurücksetzen:

- "Yes": Alle Werkseinstellungen werden wieder wirksam.
- "No": Die aktuellen Einstellungen werden beibehalten.

PLAUSIBILITÄTSPRÜFUNG

Beim Versuch, den PARAMETRISIERUNGSBEREICH zu verlassen, wird das Gerät eine automatische Prüfung durchführen, um die Plausibilität der Einstellungen zu prüfen.

FEHLERMELDUNG: "MIN. DISTANCE BETW. SET-PT. AND RESET-PT. IS 0.5% FS. PLEASE CORRECT PARAMS"

Die Differenz zwischen dem Schalterpunkt und dem Rückschalterpunkt wird geprüft. Falls die Distanz nicht groß genug ist (d.h. weniger als 0,5% des FS), erscheint diese Fehlermeldung.

FEHLERMELDUNG: "OFFSET MUST BE BETWEEN -25%FS & +25%FS. PLEASE CORRECT"

Der Offset wird ebenfalls geprüft. Falls der Offset nicht innerhalb 25% des FS ist, erscheint diese Fehlermeldung.

BESTÄTIGUNGSBEREICH

Hier haben Sie die Gelegenheit, sämtliche Geräteeinstellungen (einschl. der Werte, die Sie geändert haben) nochmals Revue passieren zu lassen. Falls Sie irgendwelche Einstellungen ablehnen, gelangen Sie automatisch wieder in den PARAMETRISIERUNGSBEREICH. Falls Sie jedoch alle Einstellungen annehmen, werden sie dauerhaft gespeichert, und Sie gelangen automatisch zum DISPLAYBEREICH.

WICHTIG

Sie sollten von der Richtigkeit aller Einstellungen überzeugt sein, die im BESTÄTIGUNGSBEREICH angezeigt werden. Nach Durchlauf des BESTÄTIGUNGSBEREICHS werden diese Einstellungen wirksam.

BESCHREIBUNG DES AUSGANGS

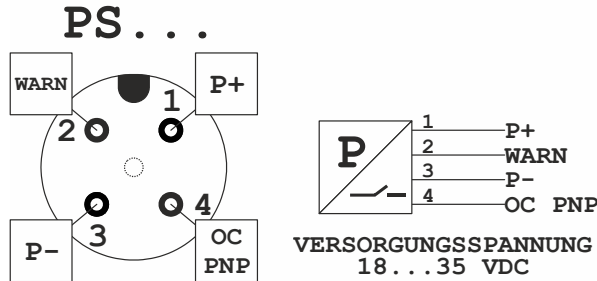


Abb. 6. Stiftbelegung des A-codierten M12-Steckers

HINWEIS: Das Gerät und sämtliche elektrisch angeschlossene Feldgeräte (z.B. Stellmotoren, Fühler usw.) müssen über Stift 3 mit einer gemeinsamen Masse versehen werden.

Die Anfangsbedingungen der Signalausgänge des Geräts sind wie folgt:

Tabelle 1. DCM DIFF Signalausgänge nach Einschaltung

WARN (Stift 2)	STROMVERS.	AUSGANG (St. 4)
passiv	--	offen

HINWEIS: Der WARN-Ausgang (Stift 2) ist ein Nebenausgang zur Anzeige von Signalfehlern. Er lässt sich nicht zum Antrieb von hohen Lasten verwenden.

SCHALTVERHALTEN BEI ÜBERSTROM

Um eine Beschädigung der Geräteelektronik zu verhindern, mißt das Gerät den Eingangsstrom (der Strom, der an die Last einfließt).

Falls der Strom, der vom Schaltausgang an die Last fließt, einen Wert von 250 mA überschreitet, wird die Last automatisch getrennt und der WARN-Ausgang auf < 0.5 V für 5 sec gestellt. Die Last wird dann wieder zugeschaltet (verbunden/angeschlossen), der Strom neu gemessen, und der WARN-Ausgang auf die Spannungsversorgung gestellt. Falls der Strom immer noch höher als 250 mA ist, wird die Last getrennt und der WARN-Ausgang auf < 0.5 V... in eine Schleife gestellt.

Tabelle 2. DCM DIFF Funktionen und Definitionen

Definition	Funktion	Gleichung	"aktiv" =	"inaktiv" =
Max.-Wächter	N.O.	1	geschl.	offen
Max.-Wächter	N.C.	1	offen	geschl.
Min.-Wächter	N.O.	1	offen	geschl.
Min.-Wächter	N.C.	1	geschl.	offen
Fenster-Wächter	N.O.	2	geschl.	offen
Fenster-Wächter	N.C.	2	offen	geschl.

Gleichung 1 (Min./Max.-Wächter):

$$y_{n+1} = \begin{matrix} \text{aktiv} & x \geq USP \\ \text{inaktiv} & x \leq LSP \\ y_n & \text{sonst} \end{matrix}$$

Gleich 2 (Fenster-Wächter):

$$y_{n+1} = \begin{matrix} \text{aktiv} & LSP \leq x \leq USP \\ \text{inaktiv} & x \leq LSP \text{ minus } (0,5\% \times FS) \\ \text{inaktiv} & x \geq LSP \text{ plus } (0,5\% \times FS) \\ y_n & \text{sonst} \end{matrix}$$

Wobei

y_n den analogen Ausgangswert des vorigen Zyklus' darstellt,

y_{n+1} den analogen Ausgangswert des jetzigen Zyklus' darstellt und

x der aktuell gemessene Druck ist.

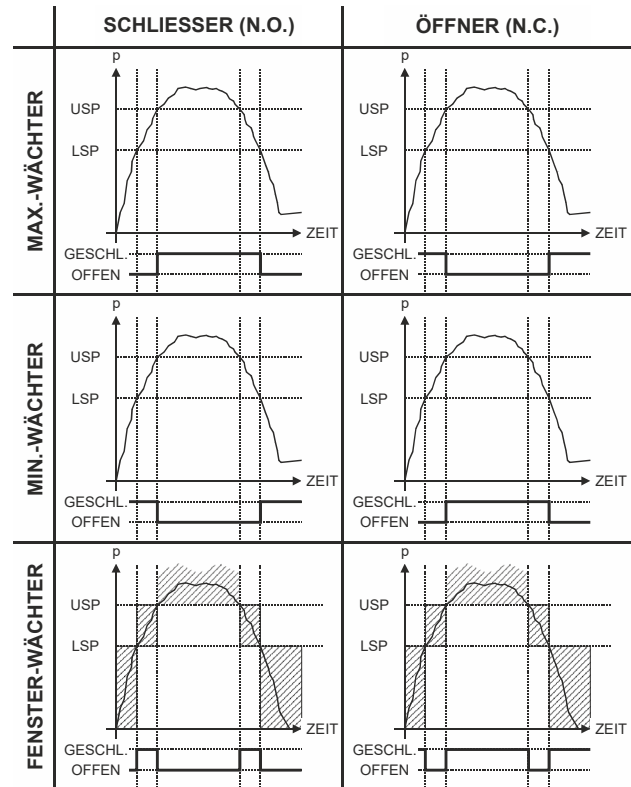
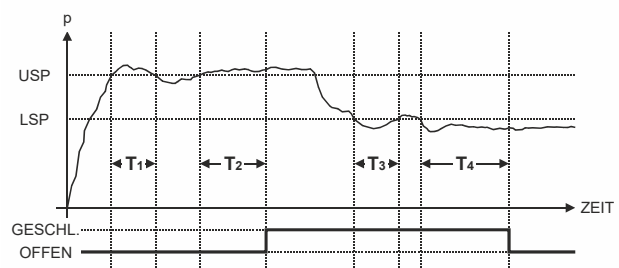


Abb. 7. DCM DIFF Ausgang (Max./Min./Fenster-Wächter)

N.O. MAX.-WÄCHTER (ODER N.C. MIN.-WÄCHTER)



LEGENDE:

- T1 weniger als drop-in-Zeit
- T2 größer als oder gleich drop-in-Zeit
- T3 weniger als drop-out-Zeit
- T4 größer als oder gleich drop-out-Zeit

Abb. 8. Verzögerungszeiten

SN DIFF TRANSMITTER MENÜNAVIGATION

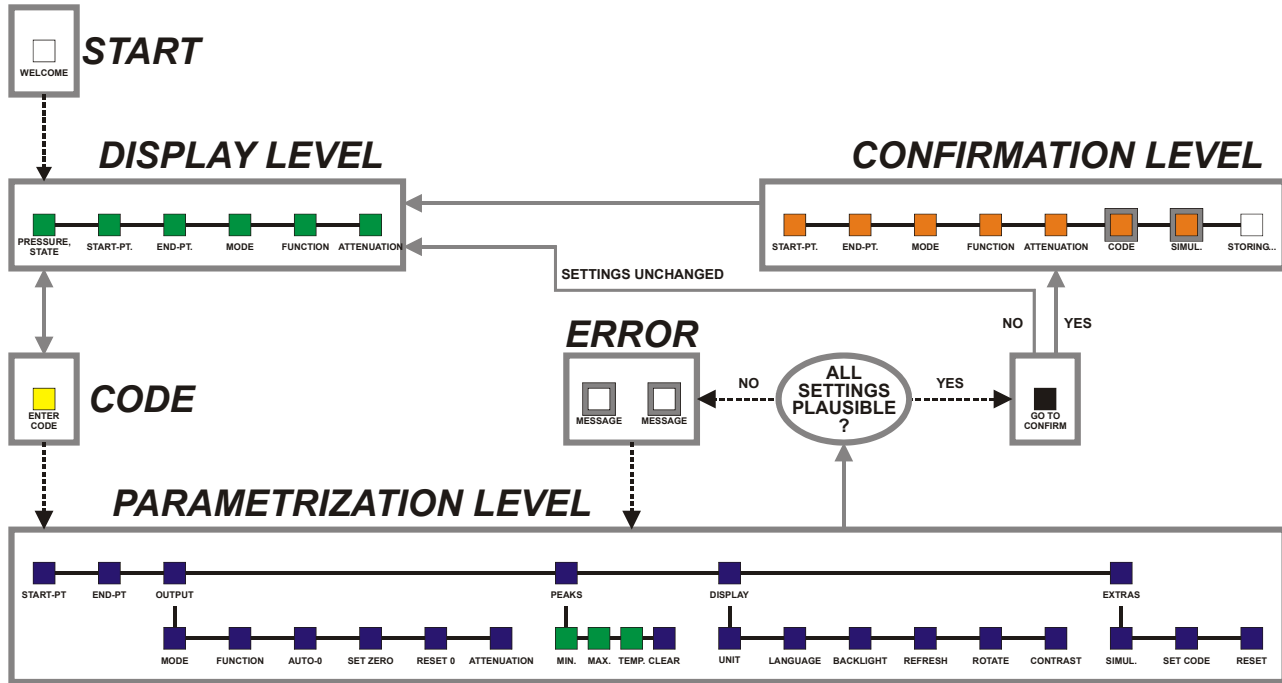


Abb. 9. Menünavigation - Übersicht (SN DIFF Transmitter)

Geräte, die mit einem HMI-Kopf ausgestattet sind, vereinfachen die Konfiguration mit Hilfe der Drucktasten und einer Anzeige. Die am Rande angezeigten Begriffe und Symbole erleichtern die Navigation durchs Menü.

Das Menü läßt sich in folgende Bereiche aufteilen:

- STARTANZEIGE;
- DISPLAY-BEREICH (Informationsanzeige einschließlich des aktuellen Drucks, sowie verschiedener Einstellwerte. Editieren ist hier nicht möglich);
- CODE-BEREICH (Eingabe des vierstelligen CODEs, um in die nächste Ebene zu gelangen);
- PARAMETRISIERUNGSBEREICH (Änderung verschiedener Einstellwerte);
- PRÜFBEREICH (Überprüfung auf korrekte Eingabe und ggfls. Zurückstufung in den PARAMETRISIERUNGSBEREICH); und
- BESTÄTIGUNGSBEREICH (Nochmalige Bestätigung der Einstellwerte, bevor sie dauerhaft gespeichert werden).

STARTANZEIGE

Binnen 10 Sekunden nach Einschalten des Geräts erscheint als erstes die STARTANZEIGE (siehe Abb. 10).



Abb. 10. Startanzeige

Danach gelangen Sie automatisch in den DISPLAY-BEREICH.

DISPLAYBEREICH

Im DISPLAYBEREICH können Sie den aktuellen Druck sowie diverse andere Einstellwerte sehen.

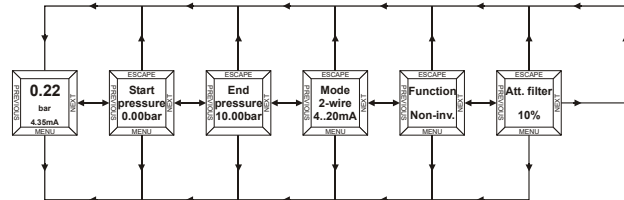


Abb. 11. DISPLAYBEREICH (Beispiel: SN DIFF 2-Leiter)

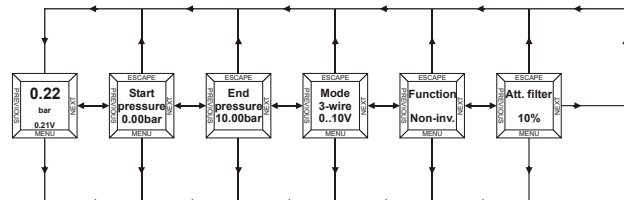


Abb. 12. DISPLAYBEREICH (Beispiel: SN DIFF 3-Leiter)

EINGABE DES ZUGANGSCODES

Um in den PARAMETRISIERUNGSBEREICH zu gelangen und dort Einstellwerte ändern zu können, müssen Sie sich zuerst mit der erforderlichen Autorisierung ausweisen. Dies geschieht durch Eingabe des vierstelligen ZUGANGSCODEs (Standardwert: 0000).

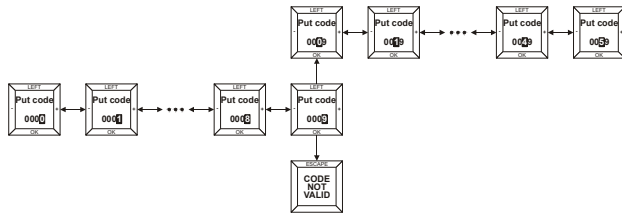


Abb. 13. Eingabe des ZUGANGSCODEs

PARAMETRISIERUNGSBEREICH

Nach Eingabe des richtigen ZUGANGSCODE und Gelangen in den PARAMETRISIERUNGSBEREICH können Sie Einstellwerte ändern sowie das Gerät umkonfigurieren.

HINWEIS: Die aktuelle Einstellung (z.B. "Ja", "Nein", "4...20 mA" usw.) ist an einem kleinen Punkt zu erkennen (siehe Abb. 14).

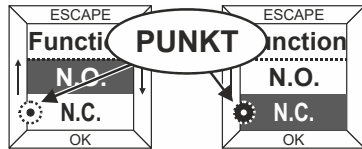


Abb. 14. Kennzeichnung der akt. Einstellung

START-PT. (STARTPUNKT)

In dieser Anzeige können Sie den Startpunkt einstellen. Der Startwert ist der Druck, bei dem das Gerät anfangen soll, einen analogen Ausgang zu liefern. Die Werkseinstellung ist "0".

FEHLERMELDUNG: "VALUE OUT OF RANGE"

Falls Sie einen Startwert gewählt haben, der außerhalb des zulässigen Druckmessbereichs oder inkorrekt ist, erscheint diese Fehlermeldung, worauf hin Sie einen richtigen Wert eingeben sollen.

END-PT. (ENDPUNKT)

In dieser Anzeige können Sie den Endpunkt einstellen. Der Endpunkt ist der Druck, bei dem das Gerät kein analoges Ausgangssignal mehr liefern soll. Die Werkseinstellung beträgt 100% von FS.

FEHLERMELDUNG: "VALUE OUT OF RANGE"

Falls Sie einen Endwert gewählt haben, der außerhalb des zulässigen Druckmessbereichs oder inkorrekt ist, erscheint diese Fehlermeldung, worauf hin Sie einen richtigen Wert eingeben sollen.

OUTPUT (AUSGANG)

MODE (MODUS)

Hier können Sie zwischen vier verschiedenen Betriebsmodi wählen:

- 0...10V: Spannungsbereich = auf 0...10 V;
- 0...20mA: Strombereich = 0...20 mA;
- 2...10V: Spannungsbereich = 2...10 V;
- 4...20mA: Strombereich = 4...20 mA (Werkseinstellung).

HINWEIS: Der SN DIFF 2-Leiter Transmitter unterstützt nur den "4...20 mA" Modus. Dies kann jedoch in "20...4 mA" invertiert werden siehe Abschnitt "Function (Funktion)" unten).

FUNCTION (FUNKTION)

Hier können Sie die Gerätefunktion invertieren (siehe auch Abb. 15):

- "Non-invert.": der Modus (Strom- bzw. Spannungsbereich) wird auf 0/4...20 mA bzw. 0/2...10 V eingestellt (Werkseinstellung);
- "Inverted": der Modus (Strom- bzw. Spannungsbereich) wird auf 20...0/4 mA bzw. 10...0/2 V eingestellt. Die Werkseinstellung ist "non-invert."

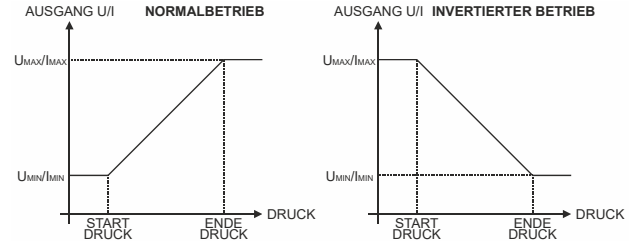


Abb. 15. SN DIFF Transmitter Ausgang (normal/invertiert)

AUTO ZERO

Die "auto zero"-Funktion ermöglicht es dem Anwender, das Gerät entsprechend den lokalen atmosphärischen Druckverhältnissen einzustellen sowie den Drift auszugleichen. Um diese Funktion richtig anzuwenden, sollte das Gerät am Einsatzort eingebaut und der Druckfühler den örtlichen Umgebungsdruck ausgesetzt sein (d.h. 0 bar Relativdruck).

- "Yes": Das Gerät übernimmt den örtlichen Umgebungsdruck als seinen Nullwert.
- "No": Die Geräteeinstellung bleibt unverändert. Die Werkseinstellung ist "No".

SET ZERO (NULLABGLEICH)

Der Unterschied zwischen dem Druckwert, den Sie in diesem Menüfenster eingeben, und dem aktuell gemessenen Druck stellt den Offset (Nullabgleich) dar. Dieser Nullabgleich kann mit dem "reset zero"-Option (siehe unten) wieder auf Null gestellt werden.

Die Standardeinstellung ist der aktuell gemessene Druck (d.h. der Nullabgleich beträgt dann Null).

FEHLERMELDUNG: "VALUE OUT OF RANGE"

Falls Sie einen "Nullabgleich" gewählt haben, der außerhalb des zulässigen Bereichs ($\pm 25\%$ FS) liegt, erscheint diese Fehlermeldung, worauf hin Sie einen richtigen Wert eingeben sollen.

RESET ZERO

Hier können Sie den Nullwert wieder einstellen:

- "Yes": Der Nullabgleich wird auf "Null" gesetzt.
- "No": Die Geräteeinstellung bleibt unverändert. Die Werkseinstellung ist "No".

ATT. FILTER (DÄMPFUNG)

Hier können Sie den ausgegebenen Anteil der Spitze dämpfen. Mögliche Werte sind 0...99%. Die Werkseinstellung ist "10" Prozent.

Die Formel zur Berechnung der Dämpfung lautet wie folgt:

$$y_n = \left(1 - \frac{\text{Dämpfung}}{100}\right)x_n + \frac{\text{Dämpfung}}{100}y_{n-1}$$

Wobei

- y_n den analogen Ausgangswert darstellt,
- x_n den gemessenen, abgeglichenen Druck des jetzigen Zyklus' und
- y_{n-1} den analogen Ausgangswert des vorigen Zyklus' darstellt.

PEAKS (SPITZENWERTE)

Hier können Sie die historischen Maximal- und Minimaldrücke sehen sowie die Maximaltemperatur (historisch = gemessen seit Inbetriebnahme bzw. seit dem letzten Löschen der Spitzenwerte).

Falls erwünscht, können Sie zu "Clear" ("Löschen") vorgehen und "Yes" wählen; sämtliche gespeicherte Spitzenwerte werden dadurch gelöscht und die Aufzeichnung von Spitzenwerten wird wieder initiiert.

DISPLAY

Hier können Sie verschiedene Anzeigemodi auswählen.

UNIT (EINHEITEN)

Hier können Sie die Einheiten, in denen das Gerät den Druck anzeigt, wählen:

- bar: Der Druck wird in bar angezeigt.
- Pa: Der Druck wird in Pascal angezeigt.
- Psi: Der Druck wird in pounds / in² angezeigt.
- %: Der Druck wird in % des FS angezeigt.

Die Werkseinstellung ist "bar".

LANGUAGE (SPRACHE)

Die unterstützte Menüsprache ist ENGLISCH.

BACKLIGHT (HINTERGRUNDBELEUCHTUNG)

Hier können Sie die Hintergrundbeleuchtung einstellen:

- "Always": Die Hintergrundbeleuchtung bleibt immer EIN.
- "Demand": Die Hintergrundbeleuchtung geht an, sobald eine Taste betätigt wird und erlischt nach 25 Sek.
- "Never": Die Hintergrundbeleuchtung ist dauerhaft AUS.

Die Werkseinstellung ist "Never".

HINWEIS: Die einzige Hintergrundbeleuchtungsoption, die beim SN DIFF 2-Leiter Transmitter unterstützt wird, ist "Never".

REFRESH (AKTUALISIEREN)

Hier können Sie die Aktualisierungsrate (in Sekunden) des Displayinhalts einstellen.

Mögliche Werte sind 1...9 Sekunden.

Die Werkseinstellung beträgt "1" Sek.

ROTATE (DREHEN)

Hier können Sie (zur besseren Lesbarkeit) die Ausrichtung des Displays dauerhaft um 0°, 90°, 180° oder 270° drehen. Die Werkseinstellung ist "0" Grad (d.h. senkrechte Ausrichtung bei aufrechter Einbaulage).

CONTRAST (KONTRAST)

Hier können Sie den Kontrast des Displays einstellen:

- "Min.": Der Kontrast wird auf den Mindestwert eingestellt;
- "Mean": Der Kontrast wird auf den Mittelwert eingestellt;
- "Max.": Der Kontrast wird auf den Höchstwert eingestellt.

Die Werkseinstellung ist "Mean".

EXTRAS (ZUSATZFUNKTIONEN)

SIMUL. (SIMULATIONSMODUS)

Der Simulationsmodus ermöglicht es dem Anwender, die reibungslose Funktion des Geräts zu prüfen, ohne das System unter Druck zu setzen.

Nach Aufrufen des Simulationsmodus sind die Diagnostikfunktionen nicht wirksam, und das Gerät kann nicht in einer echten Sicherheitsanwendung eingesetzt werden.

Nach Verlassen des Simulationsmodus und Rückkehr in die normale Betriebsart kann das Gerät wieder in Sicherheitsanwendungen eingesetzt werden.

- "Yes": Der Simulationsmodus wird aufgerufen.
- "No": Das Gerät bleibt in seiner normalen Betriebsart.

Die Werkseinstellung ist "No".



VORSICHT

Nach Abschluß Ihres Tests im Simulationsmodus müssen Sie darauf achten, zu diesem Menüfenster zurückzukehren und die normale Betriebsart wieder zu aktivieren.

SET CODE (CODE EINSTELLEN)

Hier können Sie den ZUGANGSCODE neu definieren. Nach Verlassen des PARAMETRISIERUNGSBEREICHS und Durchlauf durch den BESTÄTIGUNGSBEREICH wird der neue ZUGANGSCODE dann wirksam.

RESET

Hier können Sie das Gerät wieder auf Werkseinstellung (d.h. Standardwerte) zurücksetzen:

- "Yes": Alle Werkseinstellungen werden wieder wirksam.
- "No": Die aktuellen Einstellungen werden beibehalten.

PLAUSIBILITÄTSPRÜFUNG

Beim Versuch, den PARAMETRISIERUNGSBEREICH zu verlassen, wird das Gerät eine automatische Prüfung durchführen, um die Plausibilität der Einstellungen zu prüfen.

FEHLERMELDUNG: "MIN. DISTANCE BETW. START-PT. AND END-PT. IS 50% FS. PLEASE CORRECT PARAMS"

Die Differenz zwischen dem Startpunkt und dem Endpunkt wird geprüft. Falls die Distanz nicht groß genug ist (d.h. weniger als 50% des FS), erscheint diese Fehlermeldung.

FEHLERMELDUNG: "OFFSET MUST BE BETWEEN -25%FS & +25%FS. PLEASE CORRECT"

Der Offset wird ebenfalls geprüft. Falls der Offset nicht innerhalb 25% des FS ist, erscheint diese Fehlermeldung.

BESTÄTIGUNGSBEREICH

Hier haben Sie die Gelegenheit, sämtliche Geräteeinstellungen (einschl. der Werte, die Sie geändert haben) nochmals Revue passieren zu lassen. Falls Sie irgendwelche Einstellungen ablehnen, gelangen Sie automatisch wieder in den PARAMETRISIERUNGSBEREICH. Falls Sie jedoch alle Einstellungen annehmen, werden sie dauerhaft gespeichert, und Sie gelangen automatisch zum DISPLAYBEREICH.

WICHTIG

Sie sollten von der Richtigkeit aller Einstellungen überzeugt sein, die im BESTÄTIGUNGSBEREICH angezeigt werden. Nach Durchlauf des BESTÄTIGUNGSBEREICHS werden alle dieser Einstellungen.

BESCHREIBUNG DES AUSGANGS

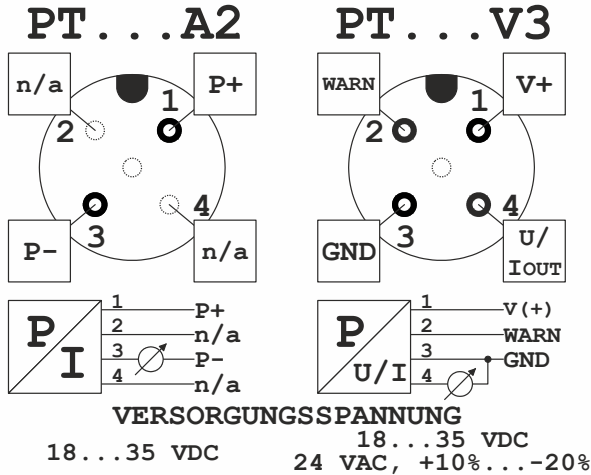


Abb. 16. Stiftbelegung des A-codierten M12-Steckers

HINWEIS: Das Gerät und sämtliche elektrisch angeschlossene Feldgeräte (z.B. Stellmotoren, Fühler usw.) müssen über Stift 3 mit einer gemeinsamen Masse versehen werden.

Die Anfangsbedingungen der Signalausgänge des Geräts sind wie folgt:

Tabelle 3. SN DIFF Transmitter Signalausgang unter Strom

Gerät	Ausgangssignalsbereich	WARN	Stromversorgung	Ausgang (Stift 4)
2-Leiter	4...20 mA	n/a	< 3,6 mA	n/a
3-Leiter	4...20 mA	passiv	--	0 mA
	2...10 V	passiv	--	2 V
	0...20 mA	passiv	--	0 mA
	0...10 V	passiv	--	0 V

Die Ausgangsgrenzen der Geräteausgänge bei Über- und Unterdruck sind wie folgt:

Tabelle 4. SN DIFF Transmitter Ausgangsgrenzen bei Über- und Unterdruck

Gerät	Ausgangssignalsbereich	min. Ausgangsgrenze	max. Ausgangsgrenze
2-Leiter	4...20 mA	3,8 mA	20,5 mA
3-Leiter	4...20 mA	3,8 mA	20,5 mA
	2...10 V	1,8 V	10,5 V
	0...20 mA	0 mA	20,5 mA
	0...10 V	0 V	10,5 V

Tabelle 5. SN DIFF Transmitter Parameter

Parameter	Beschreibung	Bereich
Analog Start	Druck, der der Obergrenze des Ausgangsbereichs zugeordnet wird	Minstdruck (Endpunkt minus 50%FS)
Analog Ende	Druck, der der Untergrenze des Ausgangsbereichs zugeordnet wird	Höchstdruck (Startpunkt plus 50%FS)
Offset	Vom Anwender einstellbarer Offset zum Ausgleich lokaler Druckbedingungen sowie Drift	±25%FS
Definition	Wahl des Ausgangssignals	0...20 mA, 4...20 mA 0...10 V, 2...10 V
Funktion	Auswählen von normalen / invertierten Ausgangscharakteristika	nicht-invertiert, invertiert
Dämpfung	Gewichtung (in %) durch das Dämpfungsfilter des im vorigen Zyklus gemessenen Drucks	0 ... 99

ANMERKUNGEN GEM. EN 61010-1

VORAUSSETZUNGEN FÜR DIE MONTAGE

Das Gerät ist nicht zur Montage in Ex-Bereichen geeignet. Das Gerät darf nur innerhalb der angegebenen technischen Spezifikationen betrieben werden.

ANSCHLUSS

Im Falle von fest montierten Geräten muß folgende Voraussetzung erfüllt sein:

Mindestquerschnitt der Verkabelung: 0,75 mm²

STROMAUSFALL

Im Falle eines Stromausfalls schaltet sich das Gerät aus. Nach Wiederherstellung der Stromversorgung geht das Gerät nach einer kurzen Reinitialisierungszeit (2-3 Sek.) wieder in Betrieb. Da der Speicher in einem EPROM gesichert ist, ist keine Neuparametrierung erforderlich.

REINIGUNGSMITTEL

Alle handelsüblichen Reinigungsmittel, die für die Nahrungsmittelindustrie sowie für Edelstahl 1.4404 zugelassen sind, sind erlaubt.

HINWEIS: Niemals spitze Gegenstände in Druckanschlüsse einführen, da dies die Membrane beschädigen kann!

UNSACHGEMÄßE VERWENDUNG

Der Einbau bzw. Betrieb dieses Geräts unter Mißachtung dieser Bedienungsanleitung kann zu einer Beschädigung des Geräts bzw. zu einem Fehlbetrieb und zu einer Verletzungsgefahr führen.

NEUKALIBRIERUNG

Eine Neukalibrierung im Feld ist nicht vorgesehen. Das Gerät enthält keine Teile, die im Feld repariert werden können. Zur Neukalibrierung oder Reparatur bitte FEMA kontaktieren.

SICHERHEITSFUNKTION (NUR BEI D.C.-VERSORGUNG)

SN DIFF TRANSMITTER

Die Sicherheitsfunktion der gleichspannungsgetriebenen Geräte besteht darin, Drücke zu messen. Sie gilt für 2-Leiter (4...20 mA) sowie 3-Leitermodelle (0/4...20 mA und 0/2...10 V mit WARN-Ausgang) und gewährleistet eine Genauigkeit von 1% des Meßwerts innerhalb dieses Bereichs.

Die Sicherheitsfunktion stellt sicher, daß schlimmstenfalls die Diagnostikfunktion innerhalb von 45 Sekunden antwortet. Der Transmitterausgang wird gemäß Abb. 15 auf S. 19 aktualisiert. Die X-Achse der Charakteristik zeigt den gemessenen Druck nach Berücksichtigung des Druckabgleichs und des Dämpfungsfilters. Die Y-Achse zeigt den im definierten Bereich generierten Ausgang (siehe Abb. 15 auf S. 19 sowie Tabelle 5 auf S. 21).

DCM DIFF SCHALTER

Die Sicherheitsfunktion der gleichspannungsgetriebenen Geräte besteht darin, Drücke zu messen. Je nach dem, wie das Gerät eingestellt ist, läßt es sich mit einer Genauigkeit von 1% als Max.-, Min.- oder Fenster-Wächter (Schalterausgang und WARN-Ausgang) betreiben.

Wenn die Voraussetzungen für den Zustand "offen" vorliegen, ist der Schalterausgang im Zustand "offen" (siehe Tabelle 7).

FEHLERZUSTÄNDE

Während das Gerät in Betrieb ist, gewährleistet es eine kontinuierliche Überwachung. Die Diagnostikfunktion erkennt Fehler in der Anwendung (z.B. wenn der gewünschte Ausgang nicht erreicht wird), in der Elektronik (z.B. bei Falschverdrahtung oder defekten Stromkreisen) sowie Sensorfehler und Software-Laufzeitfehler.

Im Fehlerfall wird binnen 45 Sekunden der Fehler auf dem Signalausgang bzw. WARN-Ausgang angezeigt. Die Hintergrundbeleuchtung wird ROT, bis der Fehler behoben ist. Es gibt zwei Fehlerarten: behebbare und nichtbehebbarer Fehler.

BEHEBBARE FEHLER

Behebbarer Fehler lassen sich durch einen Software-Reset beseitigen.

Nachdem der Fehler erkannt worden ist, wird er für 5 Sekunden am Signalausgang bzw. WARN-Ausgang gemeldet. Danach führt das Gerät einen automatischen Software-Reset durch (d.h. der Signalausgang kehrt in den Startzustand zurück und das Gerät wird re-initialisiert). Das Gerät kehrt dann in den Normalbetrieb zurück.

NICHTBEHEBBARE FEHLER

Falls (nach einem automatischen Software-Reset) der Fehler immer noch erkannt wird oder falls er innerhalb der nächsten 10 Minuten wieder auftritt, wird der Fehler als "nichtbehebbar" neu eingestuft. Das bedeutet, daß der Fehler ohne Eingriff des Anwenders nicht behoben werden kann. Falls jedoch der Fehler binnen 10 Minuten nicht wieder auftritt, wird das Gerät in den Normalbetrieb zurückkehren.

Nichtbehebbarer Fehler lassen sich nur mittels eines Hardware-Resets beheben. Einen Hardware-Reset erreicht man, in dem man das Gerät für mindestens 10 Sekunden von der Stromversorgung trennt.

BESEITIGUNG NICHTBEHEBbarer FEHLER

Wenn ein nichtbehebbarer Fehler angezeigt wird, können Sie versuchen, durch Trennung der Stromversorgung und Beseitigung der Fehlerquellen (z.B. Falschverdrahtung, Über-temperatur, Überdruck) das Problem zu beheben.

Einen Hardware-Reset erreicht man, in dem man das Gerät für mindestens 10 Sekunden von der Stromversorgung trennt.

HINWEIS: Bei dauerhaften Fehlern kontaktieren Sie FEMA.

AUSGANGLEVELS UND -VERHALTEN

SN DIFF TRANSMITTER

2-LEITER-MODELL

Beim 2-Leiter-Modell werden Fehler über das Stromkreissignal angezeigt.

3-LEITER-MODELL

HINWEIS: Falls die Analogsignalbereiche 0...10 V oder 0...20 mA verwendet werden, muß der WARN-Ausgang auch verwendet werden. Die empfohlene Ausgangseinstellung in PLT-Anwendungen sind: 2...10 V oder 4...20 mA (dann ist die Verwendung des WARN-Ausgangs zwar nicht vorgeschrieben, aber nach wie vor empfehlenswert).

Das 3-Leiter-Modell signalisiert einen Fehler über den Signalausgang (Stift 4) und den WARN-Ausgang (Stift 2). Falls (z.B. wegen Falschverdrahtung oder defekter Elektronik) der Signalausgang den gewünschten "hohen" Fehlerzustand nicht erreichen kann, wird er automatisch in den "niedrigen" Fehlerzustand fallen.

Tabelle 6. SN DIFF Transmitter Fehlermeldung

Modell	Ausgangssignal Bereich	Fehlermeldung		WARN-Ausgang (St. 2)
		primärer ("hoher") Fehlerzustand	sekundärer ("niedriger") Fehlerzustand	
2-Leiter	4...20 mA	Schleifenstrom > 21 mA	Schleifenstrom < 3,6 mA	HINW. 1
3- Leiter	0...20 mA	Ausgang > 21 mA	Ausgang = 0 mA HINWEIS 2	< 0,5 V
	4...20 mA	Ausgang > 21 mA	Ausgang < 3,6 mA	< 0,5 V
	0...10 V	Ausgang > 11 V	Ausgang = 0 V HINWEIS 2	< 0,5 V
	2...10 V	Ausgang > 11 V	Ausgang < 1,5 V	< 0,5 V
HINWEIS 1: Der 2-Leiter-Transmitter besitzt keinen WARN-Ausgang. HINWEIS 2: Dies ist ein gültiges Signal; daher ist die Verwendung des WARN-Ausgangs vorgeschrieben.				

DCM DIFF SCHALTER

Tabelle 7. DCM DIFF Schalter Fehlermeldung

Modell	Ausgangssignal Bereich	Fehlermeldung		WARN-Ausgang (St. 2)
		primärer ("hoher") Fehlerzustand	sekundärer ("niedriger") Fehlerzustand	
Schalter	offen / geschl.	offen	offen*	< 0,5 V
*Es ist erforderlich, den WARN-Ausgang zu verwenden (u.zw. um "blocked closed output transistor error" abzudecken).				

FEHLERMELDUNGEN

Tabelle 8 führt sämtliche Fehlermeldungen, die in der Anzeige erscheinen können.

Tabelle 8. DCM DIFF Schalter / SN DIFF Transmitter Fehlermeldungen

Anzeige	Beschreibung / Ursache	behebbar (B) / nichtbehebbar (NB)	Abhilfe
0	Kein Fehler.	--	Keine Aktion erforderlich.
1	Elektronikdefekt.	B/NB	Falls NB: FEMA kontaktieren.
4	Elektronikdefekt oder Sensordefekt.	B/NB	Falls NB: FEMA kontaktieren.
5	Elektronikdefekt oder Sensordefekt.	B/NB	Verdrahtung prüfen (Strommeßgerät am Stromausgang? Spannungsmeßgerät am Spannungsausgang?) Festgestellte Fehler beseitigen und wie oben beschrieben Hardware-Reset durchführen. Falls NB: FEMA kontaktieren.
6	Speicherprüfung fehlgeschlagen.	B/NB	Wie oben beschrieben Hardware-Reset durchführen. FEMA kontaktieren.
7	Programmlauffehler.	B/NB	Falls NB: FEMA kontaktieren.
8	Umgebung zu heiß oder Elektronikdefekt.	NB	Übertemperaturbedingungen beseitigen. Wie oben beschrieben Hardware-Reset durchführen. FEMA kontaktieren.
10	Elektronikdefekt.	NB	FEMA kontaktieren.
11	Elektronikdefekt oder SW-Defekt.	NB	FEMA kontaktieren.
12	SW-Defekt.	B/NB	Falls NB: FEMA kontaktieren.
13	Druck übersteigt Überdruck und sich daraus ergebender Sensordefekt.	B/NB	Überdruckbedingungen beseitigen. Wie oben beschrieben Hardware-Reset durchführen. FEMA kontaktieren. (Siehe Tabelle 9 und Tabelle 10.)
15	Speicherprüfung fehlgeschlagen.	B/NB	Wie oben beschrieben Hardware-Reset durchführen. FEMA kontaktieren.
16	Elektronikdefekt	B/NB	Falls NB: FEMA kontaktieren.
17	Beschädigte Applikationsdaten.	B/NB	Wie oben beschrieben Hardware-Reset durchführen. FEMA kontaktieren.
18	Elektronikdefekt.	B/NB	Falls NB: FEMA kontaktieren.
19	Elektronikdefekt oder SW-Defekt.	B/NB	Falls NB: FEMA kontaktieren.
20	Elektronikdefekt oder Sensordefekt.	B/NB	Falls NB: FEMA kontaktieren.
21	Elektronikdefekt.	B/NB	Falls NB: FEMA kontaktieren.
22	Elektronikdefekt oder SW-Defekt.	NB	FEMA kontaktieren.

MAX. ZULÄSSIGE DRÜCKE

Tabelle 9. Fühlereigenschaften von Transmittern

2-Leiter, mit HMI	3-Leiter, mit HMI	3-Leiter, 0...10 V, ohne HMI	Δ -Druckmeßbereich	Überdruck	Überdruck ("Err. 13**)	Sensor-Berstdruck (Hi > Lo**)	Sensor-Berstdruck (Lo > Hi**)	max. zulässiger Systemdruck
PTHDM1002A2	PTHDM1002V3	PTSDM1002V3	0 ... 100 mbar	200 mbar	200...400 mbar	≥ 400 mbar	≥ 400 mbar	70 bar
PTHDM3002A2	PTHDM3002V3	PTSDM3002V3	0 ... 300 mbar	600 mbar	600...1200 mbar	≥ 1200 mbar	≥ 1200 mbar	70 bar
PTHDB0012A2	PTHDB0012V3	PTSDB0012V3	0 ... 1 bar	2.0 bar	2.0...4.0 bar	≥ 4 bar	≥ 4 bar	70 bar
PTHDB0032A2	PTHDB0032V3	PTSDB0032V3	0 ... 3 bar	6.0 bar	6.0...12.0 bar	≥ 12 bar	≥ 8 bar	70 bar
PTHDB0062A2	PTHDB0062V3	PTSDB0062V3	0 ... 6 bar	12 bar	12.0...24.0 bar	≥ 24 bar	≥ 8 bar	70 bar
PTHDB0202A2	PTHDB0202V3	PTSDB0202V3	0 ... 20 bar	40 bar	40.0...80.0 bar	≥ 80 bar	≥ 8 bar	70 bar

* Fehler 13, behebbar (B); ** Fehler 13, nicht behebbar (NB)

Tabelle 10. Fühlereigenschaften von Schaltern

OS-Nr.	Differenzdruckmeßbereich	Überdruck	Überdruck ("Err. 13**)	Sensor-Berstdruck (Hi > Lo**)	Sensor-Berstdruck (Lo > Hi**)	max. zulässiger Systemdruck
PSHDM1002	0 ... 100 mbar	200 mbar	200...400 mbar	≥ 400 mbar	≥ 400 mbar	70 bar
PSHDM3002	0 ... 300 mbar	600 mbar	600...1200 mbar	≥ 1200 mbar	≥ 1200 mbar	70 bar
PSHDB0012	0 ... 1 bar	2.0 bar	2.0...4.0 bar	≥ 4 bar	≥ 4 bar	70 bar
PSHDB0032	0 ... 3 bar	6.0 bar	6.0...12.0 bar	≥ 12 bar	≥ 8 bar	70 bar
PSHDB0062	0 ... 6 bar	12 bar	12.0...24.0 bar	≥ 24 bar	≥ 8 bar	70 bar
PSHDB0202	0 ... 20 bar	40 bar	40.0...80.0 bar	≥ 80 bar	≥ 8 bar	70 bar

* Fehler 13, behebbar (B); ** Fehler 13, nicht behebbar (NB)



Hergestellt für und im Auftrag des Geschäftsbereichs Connected Building der Honeywell Products and Solutions Sàrl, Z.A. La Pièce 16, 1180 Rolle, Schweiz in Vertretung durch:

Home and Building Technologies

Böblinger Strasse 17
 71101 Schönaich / Germany
 Phone: (49) 7031 637 - 01
 Fax: (49) 7031 637 - 493
<http://ecc.emea.honeywell.com>
 MU2B-0343GE51 R0220D

Änderungen vorbehalten. Gedruckt in Ungarn.

www.fema.biz