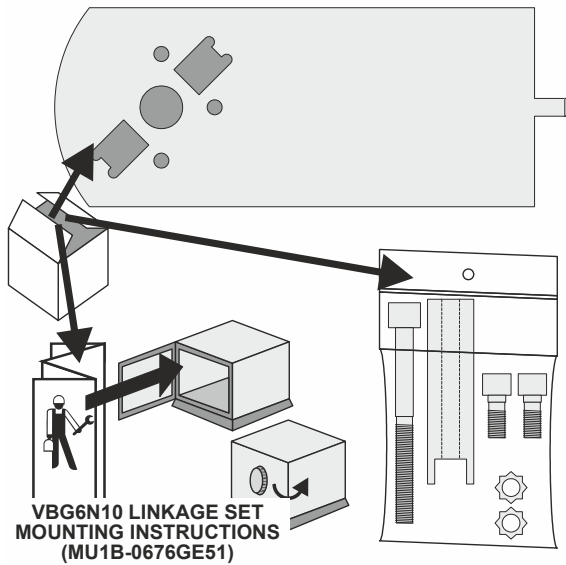


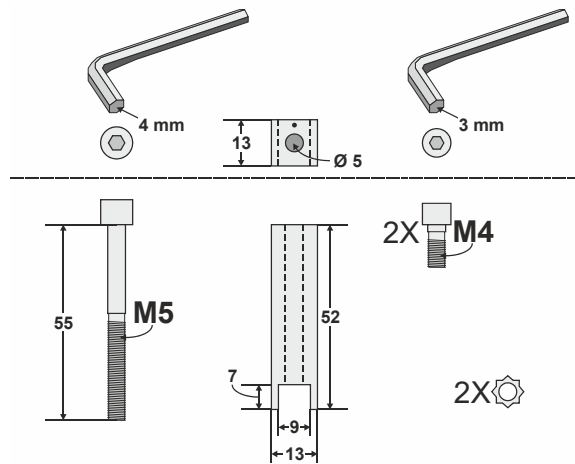
VBG6N10 LINKAGE FOR ACTUATOR N10XXX ON VALVE VGB6XXX

MOUNTING INSTRUCTIONS / MONTAGEANWEISUNG / INSTRUCTIONS D'INSTALLATION / INSTRUCCIONES DE MONTAJE / ISTRUZIONI DI MONTAGGIO

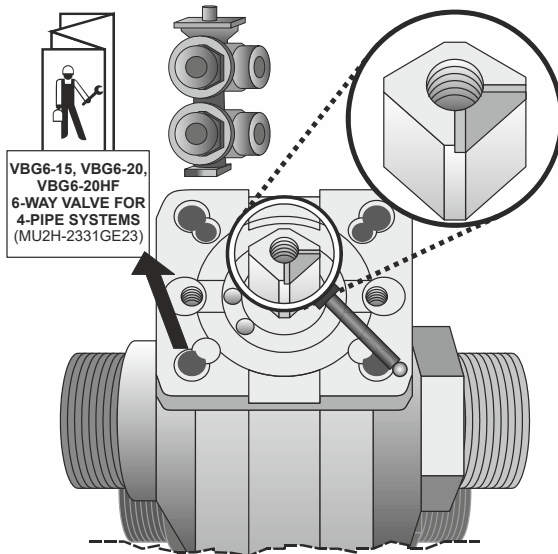
0A. INCL. IN DELIVERY



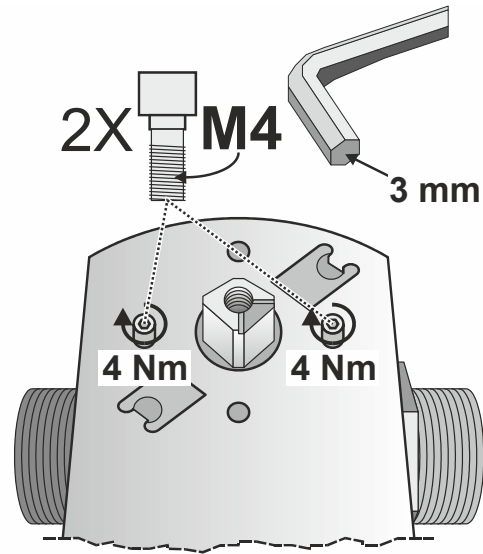
0B. DIMENSIONS

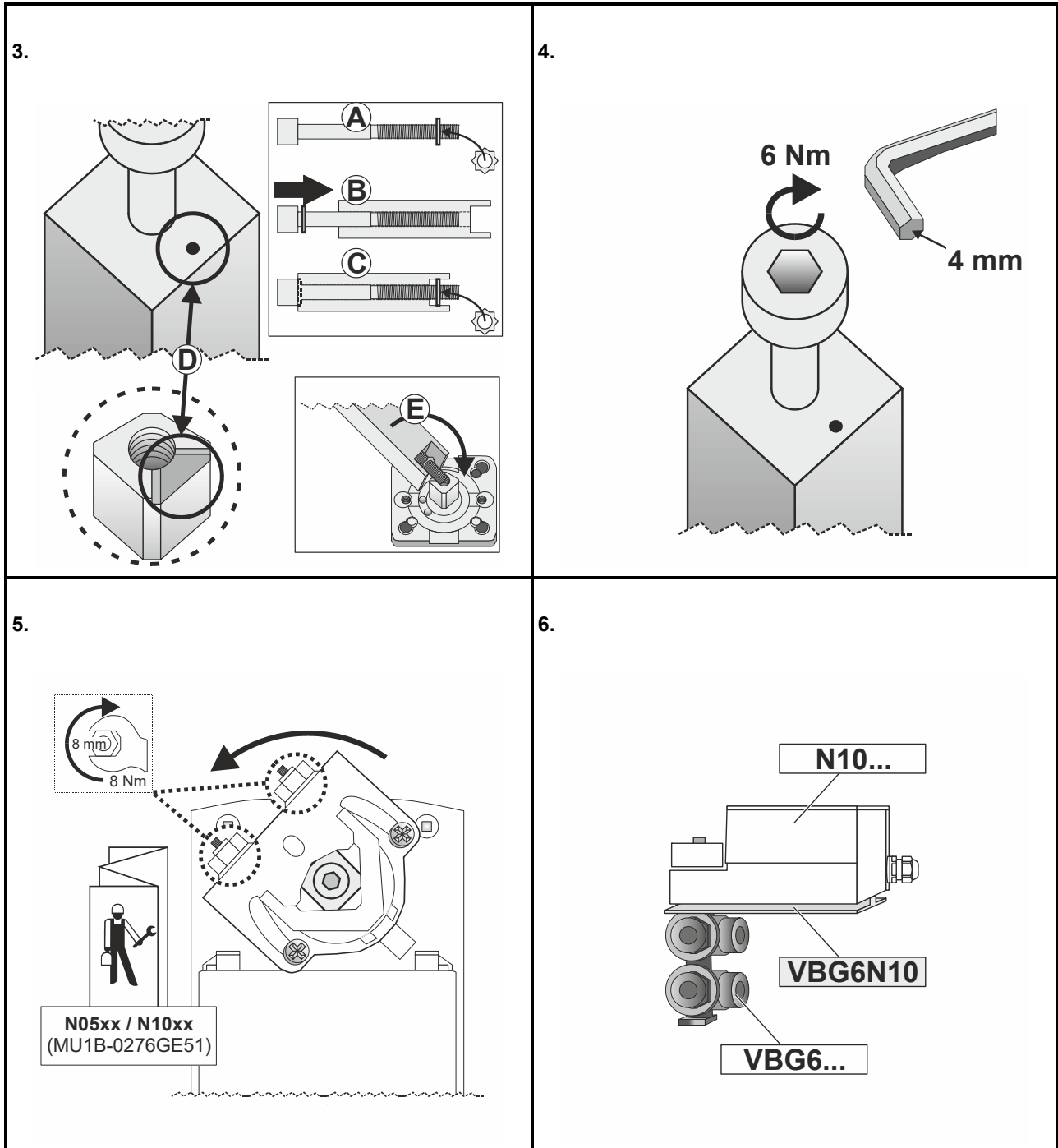


1.



2.





Honeywell

Manufactured for and on behalf of the Connected Building Division of Honeywell Products and Solutions SARL, Z.A. La Pièce, 16, 1180 Rolle, Switzerland by its Authorized Representative:

Home and Building Technologies

Honeywell GmbH
 Böblinger Strasse 17
 71101 Schönaich, Germany
 Phone +49 (0) 7031 637 01
 Fax +49 (0) 7031 637 740
<http://ecc.emea.honeywell.com>

MU1B-0676GE51 R0619A

Subject to change without notice