

- D Montageanweisung
- DK Installationsvejledning
- ES Instrucciones de montaje
- F Instructions d'installation
- I Istruzioni di montaggio
- N Installationsinstruktioner
- NL Installatievoorschrift
- P Instruções de montagem
- S Installation instruktioner
- FI Asennusohje
- PL Instrukcja montażu

C7110C1040 and C7110C1080 Wall Modules

MOUNTING INSTRUCTIONS

A. CAUTION

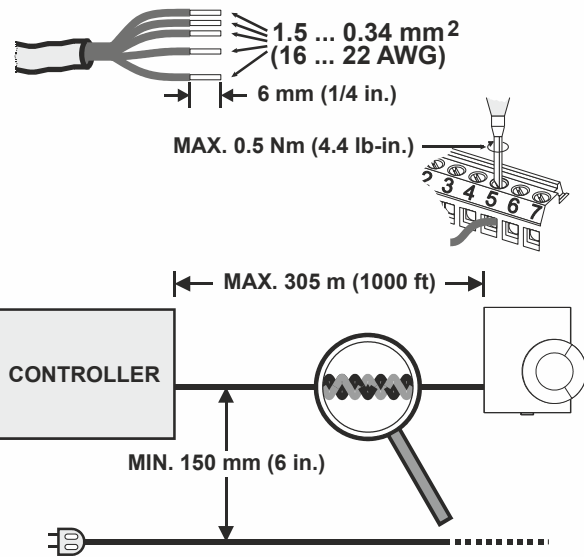
WARNING

Risk of electric shock or equipment damage!

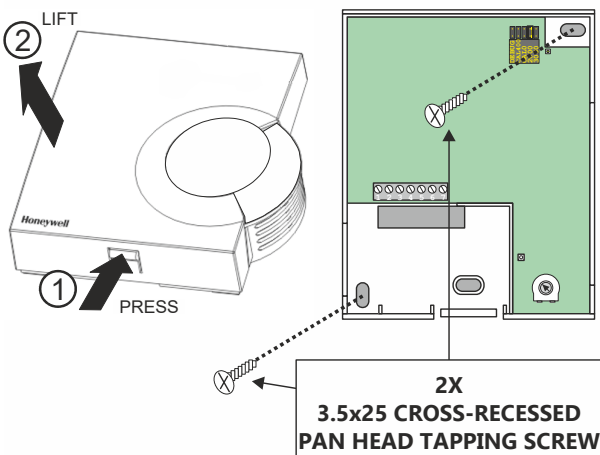
- ▶ Do not touch any live parts.
- ▶ Disconnect power supply before making connections.
- ▶ Do not reconnect power until installation is complete.
- ▶ Observe precautions for handling electrostatic sensitive devices.



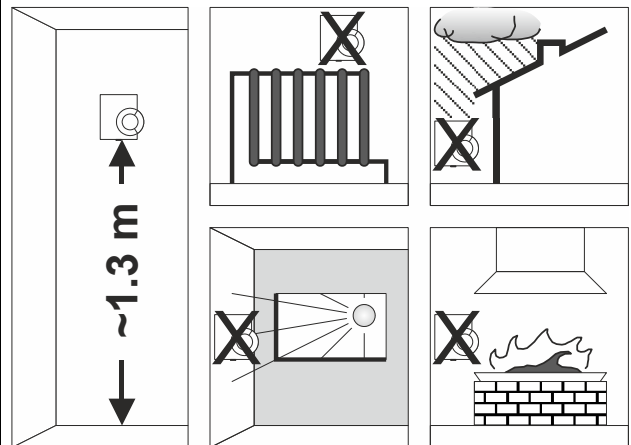
B. WIRING



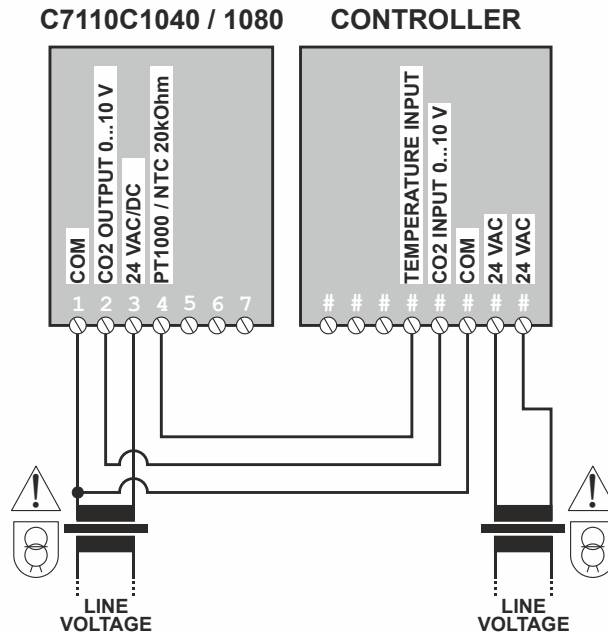
C. REMOVING COVER, INSERTING SCREWS



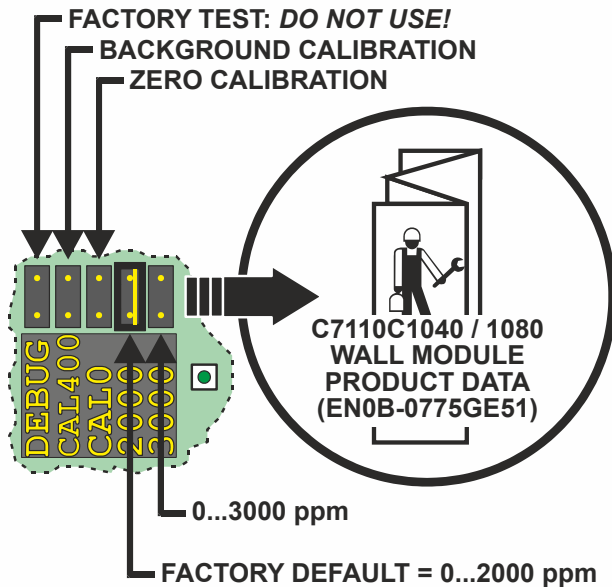
D. INSTALLATION POSITION



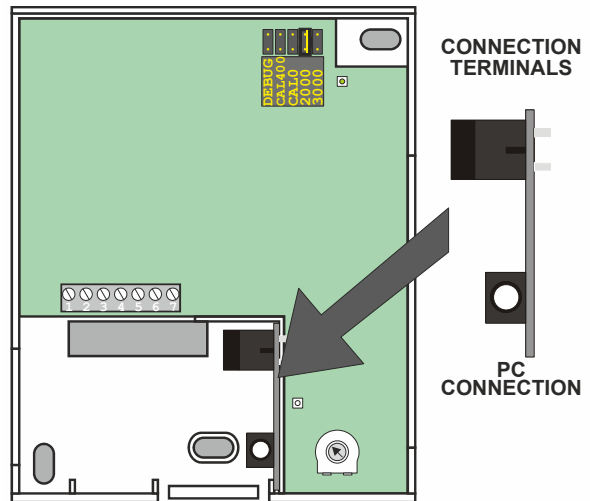
E. WIRING TERMINALS OF C7110C1080



F. CONFIGURATION JUMPER



G. T7460-LONJACK (OPTIONAL)



Honeywell

Manufactured for and on behalf of the Connected Building Division of Honeywell Products and Solutions SARL, Z.A. La Pièce, 16, 1180 Rolle, Switzerland by its Authorized Representative:

Home and Building Technologies

Honeywell GmbH
 Böblinger Strasse 17
 71101 Schönaich, Germany
 Phone +49 (0) 7031 637 01
 Fax +49 (0) 7031 637 740
<http://ecc.emea.honeywell.com>

MU1B-0658GE51 R0619B

Subject to change without notice