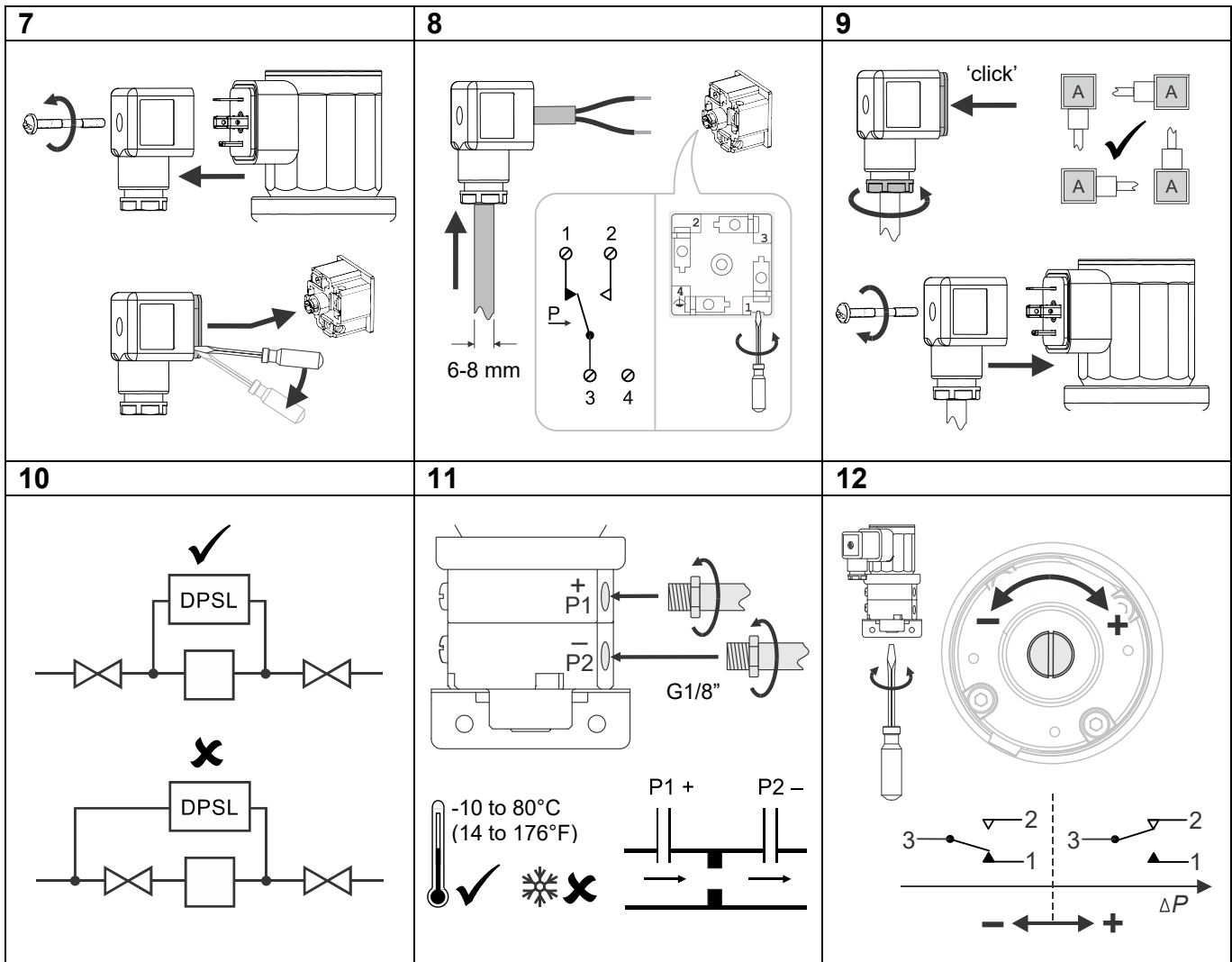


DPSL200, DPSL1000

DIFFERENTIAL PRESSURE SWITCH (LIQUID & GAS)

INSTALLATION INSTRUCTIONS

<p>1</p> <p>Read these instructions before installing and operating this product, and retain for future reference.</p> <p>WARNING! Isolate mains supply before commencing installation or making adjustments.</p> <p>Check that the product is free from damage before installation.</p> <p>For use only with liquids (neutral or slightly aggressive) and non-flammable gases.</p>	<p>This product must be installed in accordance with these instructions and any applicable local or national electrical and safety regulations. Improper installation or application of this device can be dangerous.</p> <p>This product cannot be used for U.S. FDA-controlled application areas.</p> <p>Refer to the DPSL200, DPSL1000 Product Data Sheet (EN0B-0772GE51) for full technical specifications.</p>																
<p>2</p>	<p>3</p>																
<p>4</p> <table border="0"> <thead> <tr> <th colspan="2">Liquid</th> <th colspan="2">Gas/Air</th> </tr> </thead> <tbody> <tr> <td></td> <td></td> <td></td> <td></td> </tr> <tr> <td></td> <td></td> <td></td> <td></td> </tr> <tr> <td>X</td> <td>X</td> <td>✓</td> <td>✓</td> </tr> </tbody> </table>	Liquid		Gas/Air										X	X	✓	✓	<p>5</p> <p>-10 to 80°C (14 to 176°F)</p>
Liquid		Gas/Air															
X	X	✓	✓														



Home and Building Technologies

Honeywell GmbH
 Böblinger Str. 17
 71101 Schönaich
 Germany
 Tel.: (49) 7031-637-02
 Fax: (49) 7031-637-850
<http://europe.hbc.honeywell.com>
 Modifications reserved. Printed in Germany
 EN1B-0651GE51 R0818