

COMP-IP21-KITx

COMP-NEMA1-KITx

ENCLOSURE UPGRADE KITS FOR SMARTDRIVE COMPACT INVERTERS

INSTALLATION INSTRUCTIONS

DESCRIPTION

COMP-IP21-KITx enclosure upgrade kits are additional top covers for the SmartDrive Compact inverters which fulfill the basic requirements needed for upgrading the enclosure class from IP20 to IP21 (EN60529). Basically this means of protecting the inverter also from vertically dripping water.

COMP-NEMA1-KITx enclosure upgrade kits include the protection from vertically dripping water with additional touch cover for covering the wiring terminals. This additional cover makes the inverter unit also compliant with North American NEMA1 enclosure class (NEMA 250).

MODELS


Os no.	Description	Enclosure class compliance	
		IP21	NEMA1
COMP-IP21-KIT1	Top cover for size MI1	X	
COMP-IP21-KIT2	Top cover for size MI2	X	
COMP-IP21-KIT3	Top cover for size MI3	X	
COMP-NEMA1-KIT1	Top and wiring terminal covers for size MI1	X	X
COMP-NEMA1-KIT2	Top and wiring terminal covers for size MI2	X	X
COMP-NEMA1-KIT3	Top and wiring terminal covers for size MI3	X	X





Table 1. Enclosure upgrade kit models

SmartDrive Compact Model	Size class	Upgrade kit type
COMP230-P37-20	MI1	-KIT1
COMP400-P55-20		
COMP400-P75-20		
COMP230-P75-20	MI2	-KIT2
COMP230-1P1-20		
COMP230-1P5-20		
COMP400-1P1-20		
COMP400-1P5-20		
COMP400-2P2-20	MI3	-KIT3
COMP230-2P2-20		
COMP400-3P0-20		
COMP400-4P0-20		
COMP400-5P5-20		

Table 2. SmartDrive Compact size classes

DELIVERY CONTENTS

COMP-IP21-KITx		
Picture	Quantity	Description
	1	IP21 top cover

COMP-NEMA1-KITx		
Picture	Quantity	Description
	1	IP21 top cover
	1	Cable terminal cover
	1	Cable gland plate
	6	Cable gland plate screws

INSTALLATION

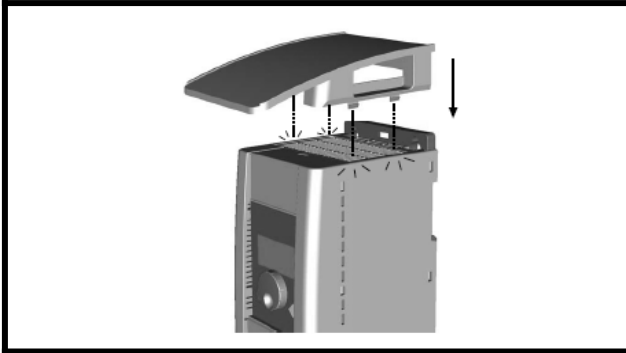


Fig 1. IP21 cover installation (COMP-IP21-KITx/COMP-NEMA1-KITx)

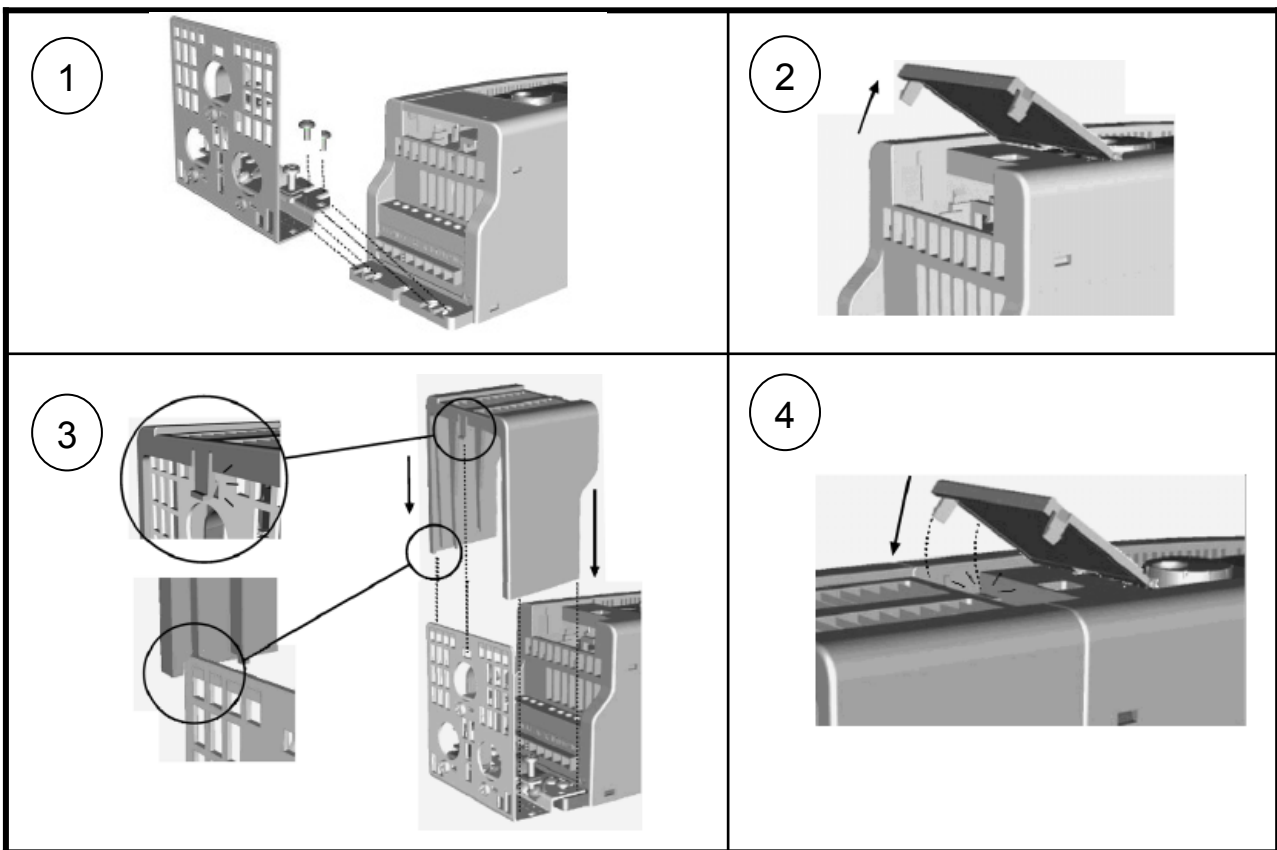


Fig 2. Cable terminal cover installation (COMP-NEMA1-KITx)

Honeywell

Manufactured for and on behalf of the Environmental and Combustion Controls Division of Honeywell Technologies Sàrl, Rolle, Z.A. La Pièce 16, Switzerland by its Authorized Representative:

Automation and Control Solutions

Honeywell GmbH
Böblinger Strasse 17
71101 Schönaich, Germany
Phone: (49) 7031 63701
Fax: (49) 7031 637493
<http://ecc.emea.honeywell.com>

Subject to change without notice. Printed in Germany

EN1B-0485GE51 R1010