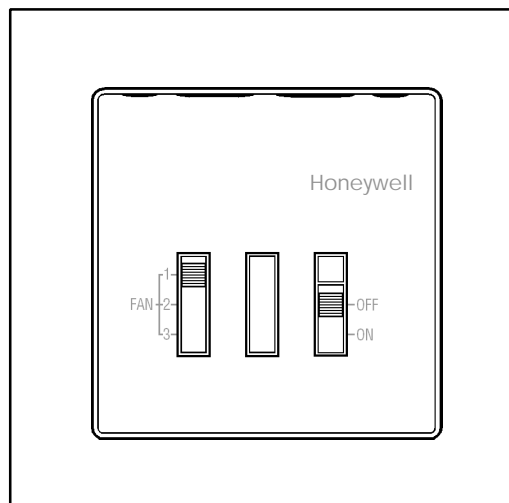


Q6371A

FAN SPEED SELECTOR

PRODUCT DATA



DESCRIPTION

The Q6371A is a fan speed selector module for manual operation of the fan in fan coil installations.

FEATURES

- Attractive modern styling makes this module ideal for locating in the occupied space in offices or hotels.
- Slide switches for ease of operation and visual indication of status.
- On/off switch and fan 1-2-3 speed switch allow complete control of fan operation.
- Lockable front cover.
- Mounts directly onto a wall, a conduit box, or a fan coil unit. Mounting screws are supplied

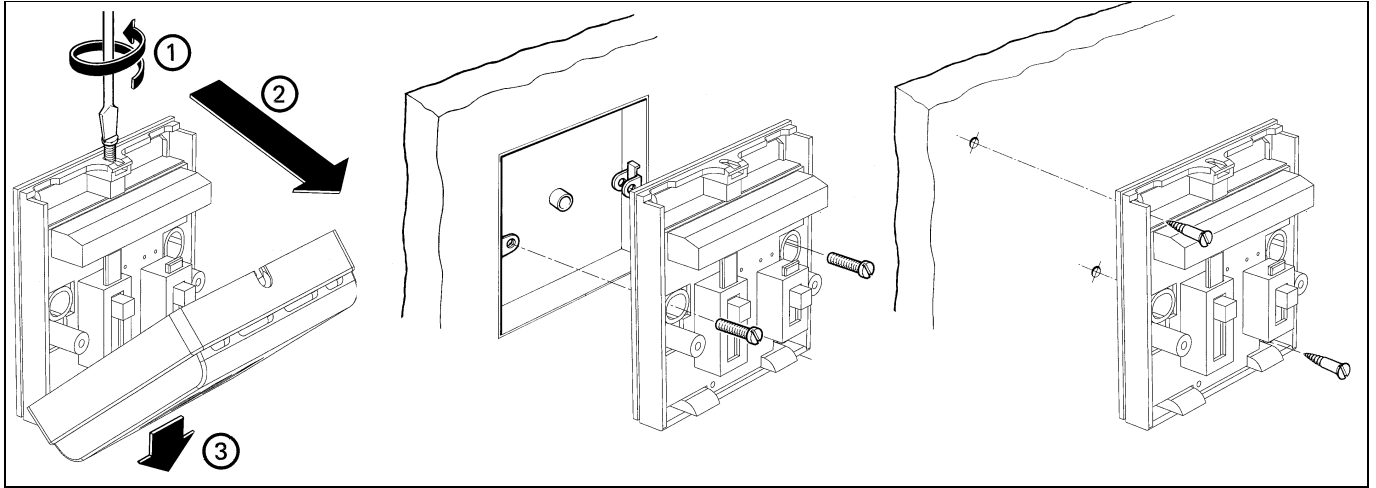
SPECIFICATIONS

Application	Manual control of the fan in line voltage fan-coil installations.	Protection Class	IP30
Voltage	230 V~ ±10%, 50/60 Hz	Dimensions	83 x 84 x 27 mm
Current	6(4)A at 230 V~	Environmental Requirements	Operating temperature 0 to 40°C Humidity ≤90%rh, non-condensing.
Switches	On/off switch Fan 1-2-3 speed switch	Approvals	CE Mark : complies with standards EN60730-1 (1995), EN55014-1 (1997), and EN55014-2 (1996)
Operational Life	Greater than 6,000 operations for each switch.	Ordering Specification	Q6371A1006
Mounting	Mounting hole pitch 60mm. Mounting screws supplied.		
Wiring	Terminals suitable for wires up to 1.5mm ²		

INSTALLATION

Mounting

The Q6371A can be mounted on the wall, or if required, on the body of the fan coil unit. There are 4 mounting hole locations and mounting screws are supplied.



Wiring

The fan speed selector has screw-in terminals that accept wires up to 1.5mm². Refer to the wiring schematic for detailed wiring information.

WIRING SCHEMATIC

