

MP913B,C DAMPER ACTUATORS

PRODUCT DATA



SPECIFICATIONS

Model MP913B	25 cm ² effective diaphragm area, versions with 65-mm and 90-mm stroke
Model MP913C	45 cm ² effective diaphragm area, versions with 70-mm and 100-mm stroke

General Data (see also Table 1)

Max. operating pressure	1.4 bar (20 psi)
Max. safe air pressure	2.0 bar (28 psi)
Ambient temperature limits	-30 °C ... +70 °C
Action	direct; pressure increase causes outward motion of shaft
Stroke	non-adjustable (see Table 1), other strokes, on request
Shaft connection	M 10
Air connection	metal barb type slip-on connector for 6 x 1 mm or 1/4 inch outer diameter polyethylene tube
Operating range (standard)	0.21 ... 0.91 bar (3 ... 13 psi); other ranges, on request
Start-point pressure	non-adjustable
Housing	black and light-gray polyacetal
Diaphragm	ethylene-propylene

GENERAL

The MP913B,C pneumatic damper actuators are used for damper-controlled induction units, mixing boxes, variable air volume systems, and in other damper applications.

CONSTRUCTION

Rolling-diaphragm piston-type actuators with polyacetal body. Long-life non-reparable construction; parts firmly snapped together. Zinc-plated steel shaft. Factory-mounted head mounted bracket and linkage assembly delivered with the device (standard models).

MODELS

The following models are available:

Table 1. Overview of models

Standard models	MP913B1076	MP913B1068	MP913C1074	MP913C1066
Effective diaphragm area (cm ²)	25		45	
Stroke (mm)	65	90	70	100
Dimensions	See Fig. 1 below.			
Net forces for standard models	At 0 bar pressure and zero-stroke position		80 N	
	At 1.25 bar (18 psi) pressure and full-stroke position		145 N	

ACCESSORIES

Table 2. Accessories

Included in delivery	Order no.	Ordered separately	Order no.
Head-mounted bracket with Honeywell linkage M 10 assembly (see fig 6), incl. 2 screws Ø 5.5 x 25 mm for bracket mounting	(43176773-002)	Conversion assembly 90° angle bracket and ball-joint M 10 assembly (see fig 8), incl. 4 self-tapping screws for bottom mounting and 2 screws Ø 5.5 x 25 mm for bracket mounting	43176501-003
Nut M 10		Other brackets and linkages available, upon request	

DIMENSIONS

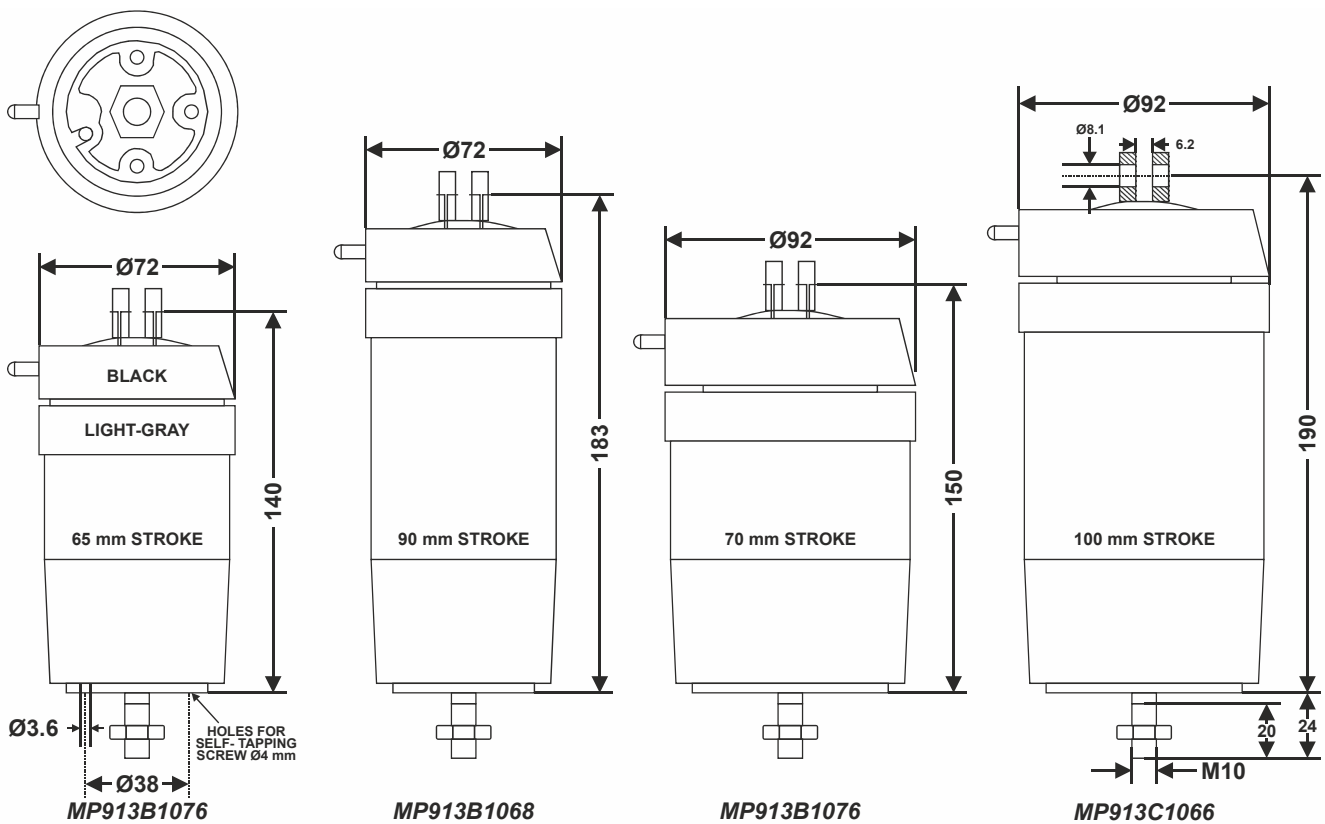


Fig. 1. Dimensions (mm)

Bracket Dimensions and Typical Crank Arm Applications

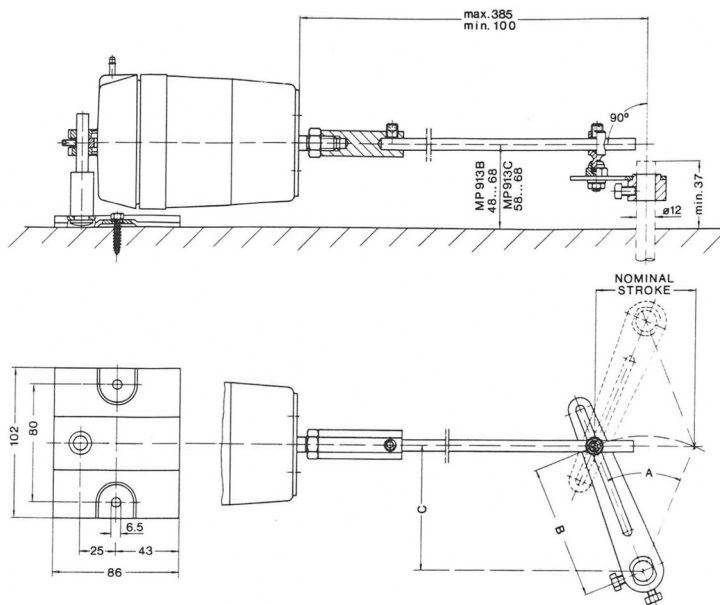


Fig. 2. Standard application with head-mounting bracket assembly (dimensions in mm)

Table 3. Crank arm radius adjustment, distance “C” of damper-damper actuator axis

angular travel “A” (see Fig. 2, Fig. 3)	65-mm stroke model MP913B1076		70-mm stroke model MP913C1074		90-mm stroke model MP913B1068		100-mm stroke model MP913C1066	
	B	C	B	C	B	C	B	C
90°	46	39	50	42.5	63.5	54	70.5	60
75°	53.5	48	57.5	51.5	74	66	82	73.5
60°	65	60.5	70	65	90	84	100	93
45°	85	82	91.5	88	117.5	113	Not adjustable	

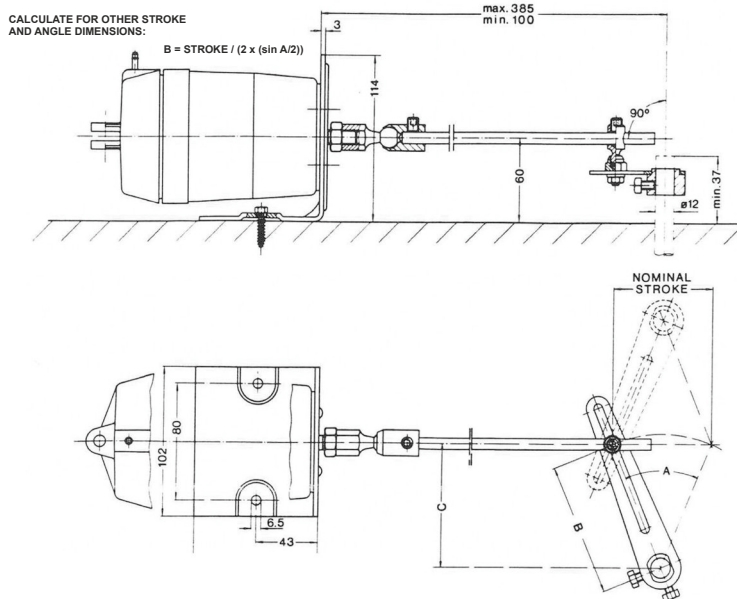


Fig. 3. Standard application with head-mounting bracket assembly (dimensions in mm)

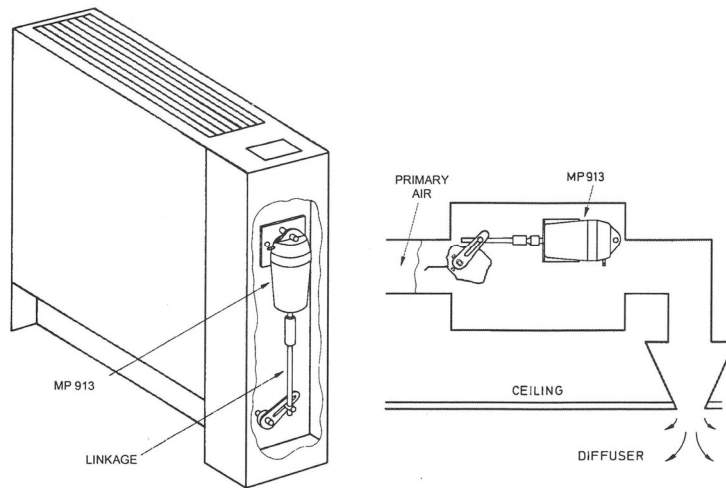


Fig. 4. Fan coil mounting (left) and mounting in variable volume mixing box (right)

Honeywell

Manufactured for and on behalf of the Environmental and Combustion Controls Division of Honeywell Technologies Sàrl, Rolle, Z.A. La Pièce 16, Switzerland by its Authorized Representative:

Automation and Control Solutions

Honeywell GmbH
Böblinger Strasse 17
71101 Schönaich / Germany
phone: (49) 7031 63701
fax: (49) 7031 637493
<http://ecc.emea.honeywell.com>

Subject to change without notice. Printed in Germany

EN0B-0683GE51 R1111