

Electrical Energy Meter with integrated S0-interface EEM230-D-P

Electrical energy meter with LCD display and integrated S0 interface. The S0 interface (pronounced S-0-interface) is a hardware interface for the transmission of measured values in building automation.

Main features:

- Single-phase energy meter, 230 VAC 50 Hz
- Direct measurement up to 32 A
- Display of instantaneous output, voltage and current
- S0 output
- 7-digit LC-Display with backlit
- Lead seal possible with cap as accessory
- Accuracy class B according to EN50470-3, accuracy class 1 according to IEC62053-21



Order Number

Standard Version: EEM230-D-P
 MID Version: EEM230-D-P-MID
 Sealing caps: EEM230-SEALCAP (Bulk with 20 units)

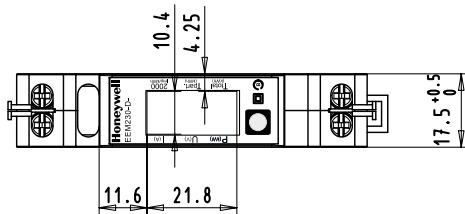
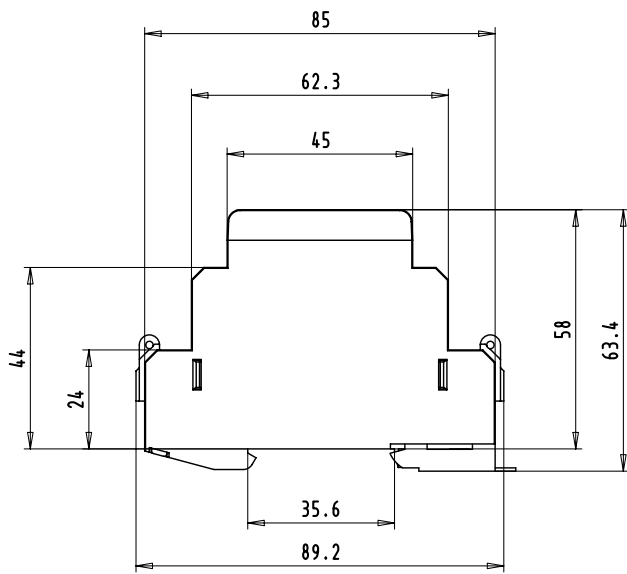
Technical data

Precision class	B in accordance with EN50470-3, 1 in accordance with IEC62053-21
Operating voltage	230 VAC, 50 Hz Tolerance -20 %/+15 %
Reference / measurement current	$I_{ref} = 5 \text{ A}$, $I_{max} = 32 \text{ A}$
Starting / minimum current	$I_{st} = 20 \text{ mA}$, $I_{min} = 0.25 \text{ A}$
Power consumption	Active 0.4 W
Counting range	00'000.00...99'999.99 100'000.0...999'999.9
Display	LCD with backlit, digits 5 mm high
S0 output	Optocoupler max. 30 V /20 mA and at least 5 V, impedance 100 Ω , impulse range 30 ms
Transmission distance	Maximum 1000 m (with 30 V /20 mA)
Pulses per kWh	LC Display: 2000 pulses/kWh S0 output: 1000 pulses/kWh

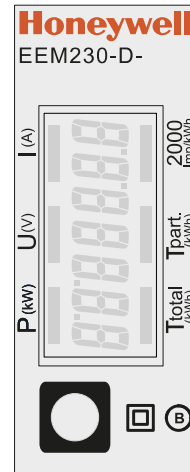
Mounting

Mounting	On 35 mm rail according to EN60715TH35
Terminal connections main circuit	Conductor cross-section max. 6 mm ² , screwdriver pozidrive no. 1, slot no. 2, torque 1.2 Nm
Terminal connections control circuit	Conductor cross-section max. 2.5 mm ² , screwdriver pozidrive no. 0, slot no. 1, torque 0.5 Nm
Insulation characteristics	4 kV /50 Hz test in accordance with VDE0435 6 kV 1.2/50 μs surge voltage in accordance with IEC255-4 Device protection class II
Ambient temperature	-25 °C...+55 °C
Storage temperature	-30 °C...+85 °C
Relative humidity	95% @ 25 °C...+40 °C without condensation
EMC /resistance to interference	Surge voltage in accordance with IEC61000-4-5 on main circuit, 4 kV Burst voltage in accordance with IEC61000-4-4, 4 kV ESD in accordance with IEC61000-4-2, contact 8 kV, air 15 kV

Dimension drawings

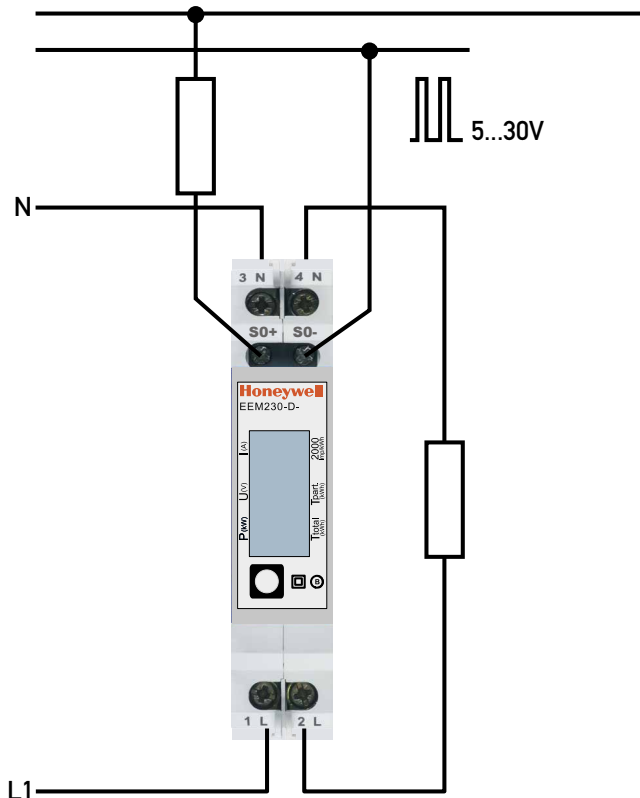


Display components, direct measurement

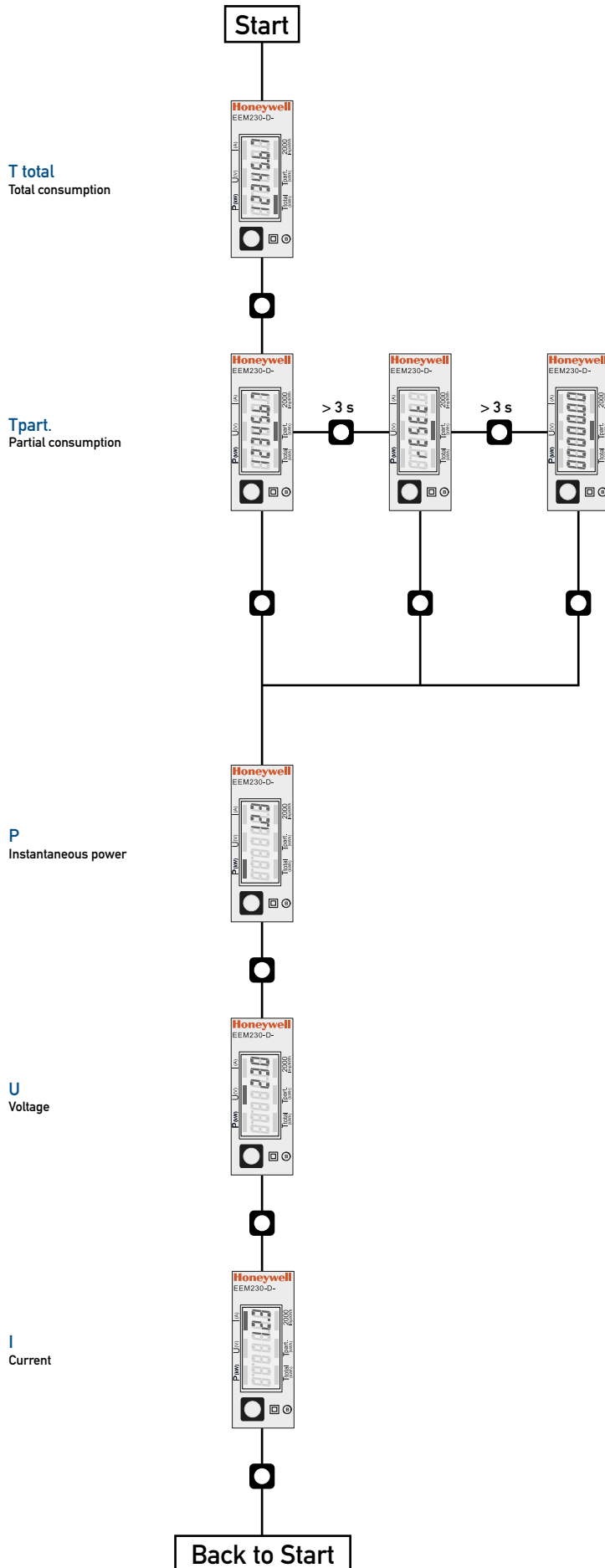


- T total (kWh) Indicates the total consumption
- T part (kWh) Indicates the partial consumption. This value can be reset
- P (kW) Indicates the instantaneous power
- U (V) Indicates the voltage
- I (A) Indicates the current
- 2000 pulses/kWh Pulsates according to the amount of used power. Error indication (Line 1L/2L inverted) pulsating with 600/600 ms

Connection diagram



Menu to display the value on LCD



Honeywell

Manufactured for and on behalf of the Environmental and Combustion Controls Division of Honeywell Technologies Sàrl, Rolle, Z.A. La Pièce 16, Switzerland by its Authorized Representative:

Saia-Burgess Controls AG
Bahnhofstrasse 18
CH-3280 Murten / Switzerland

Phone +41 26 580 30 00
Fax +41 26 580 34 99

Subject to change without notice. Printed in Switzerland
PP26-590 ENG02 07.2015