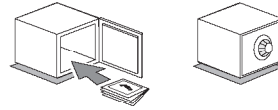


Important: Retain these instructions



CONTENTS

1	Installation	1	2	Disposal.....	2
---	--------------------	---	---	---------------	---

1 INSTALLATION

1

Install

Install IQ3 according to IQ3xcite Installation Instructions - Mounting, section 3 steps 1 to 11

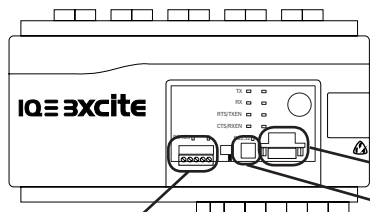


IQ3xcite Installation Instructions - Mounting (TG200626)

2

Connect Serial Interface

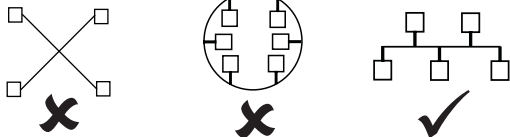
If /SER/..., serial interface auxiliary board, fitted



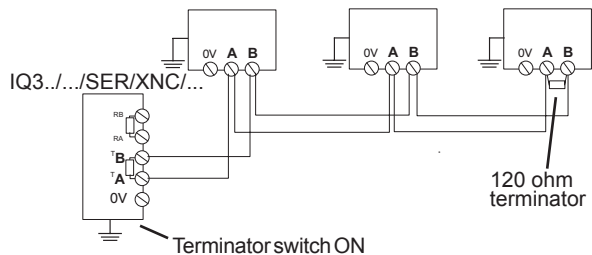
Note that only one of the RS232 or RS485 connectors can have a cable connected at any one time in order to comply with Class B EMC emission standard (EN61000-6-3, residential, commercial, and light industrial environments). WARNING: Failure to comply with this requirement will reduce the unit to Class A (industrial environments); in a domestic environment the unit may cause radio interference, in which case the user may be required to take adequate measures.

either RS485 2 wire, RS485 4 wire, or RS422

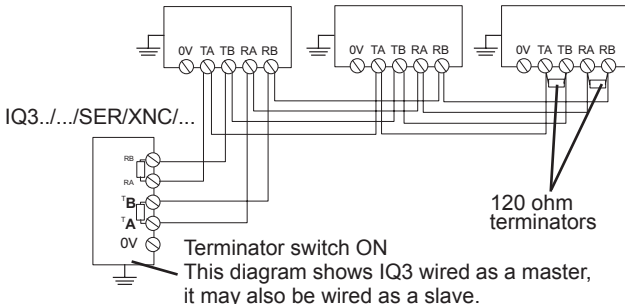
2 part connector with 5 screw terminals for 0.5 to 2.5 mm² cross section area (14 to 20 AWG) cable



If RS485 2 wire
32 devices maximum

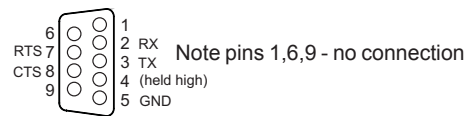


If RS485 4 wire
32 devices maximum

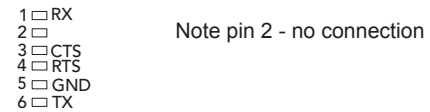


or RS232

either 9 way D type plug



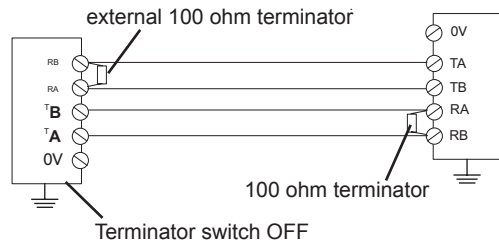
or RJ11 socket



Note that only one of the two RS232 connectors can be used at a time

If RS422

IQ3.../SER/XNC/...



If the IQ3/XNC/SER controller and other units on the bus are in the same cabinet using the same power supply, each device should have a good physical earth (ground) connection.

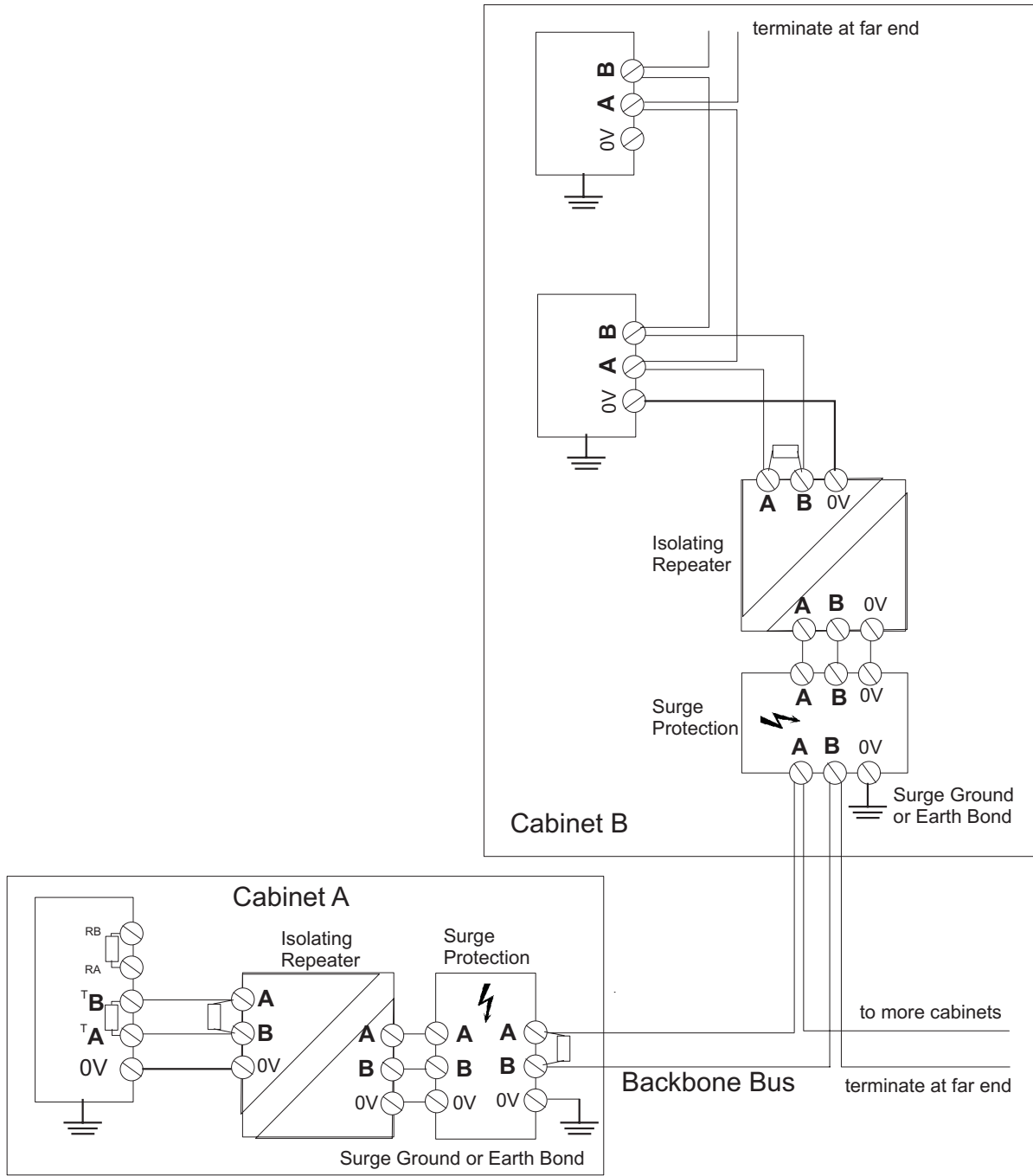
continued next page

1 INSTALLATION (continued)

2 Connect Serial Interface (continued)
 RS485 2 wire, RS485 4 wire, or RS422 (continued)

If the IQ3/XNC/SER controller and other units on the bus are in different cabinets or use different power supplies (e.g. different UPSs), the cabinets should be isolated from each other. If the bus is likely to suffer from surge and grounding problems, surge protection should be added. The isolator should be connected to the earth (ground) of the nearest device, the 0V of the isolator and the surge protector should be connected together, and earth (ground) of the surge protector's exposed side (e.g. backbone bus) should be connected as directly as possible to the surge ground or earth bond.

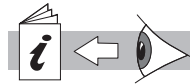
Multiple Cabinets



1 **INSTALLATION** (continued)

3

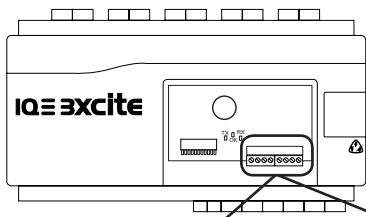
Connect Trend Current Loop Network If /LAN/..., IQ system current loop Lan auxiliary board, fitted



Network Engineering Manual, (92-1735)

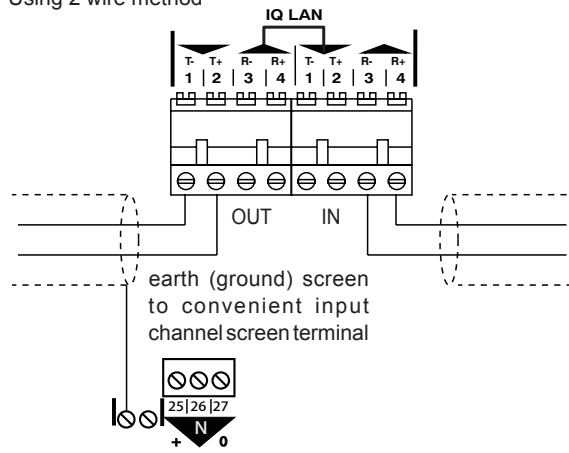
Cable	9k6 baud	19k2 baud	No. of Wires
Belden 9182	1000 m (1090 yds)	700 m (765 yds)	2
Belden 9207	1000 m (1090 yds)	500 m (545 yds)	2
Trend TP/1/1/22/HF/200 (Belden 8761)	700 m (765 yds)	350 m (380 yds)	2
Trend TP/2/2/22/HF/200 (Belden 8723)	500 m (545 yds)	250 m (270 yds)	4

2 off 2 part connectors with 4 screw terminals for 0.5 to 2.5 mm² cross section area (14 to 20 AWG) cable

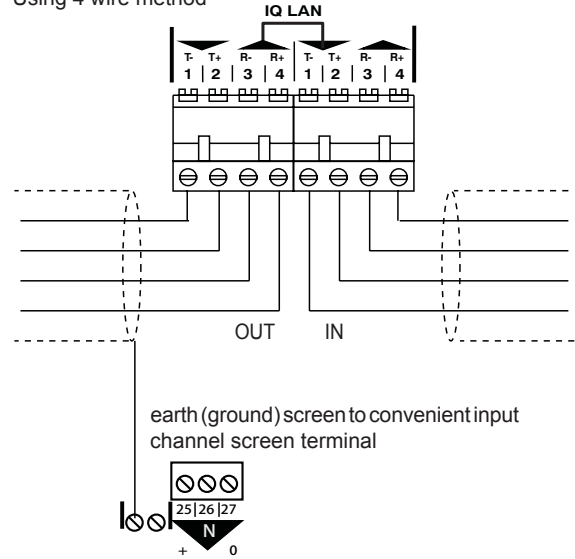


polarity independent

Using 2 wire method



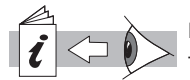
Using 4 wire method



4

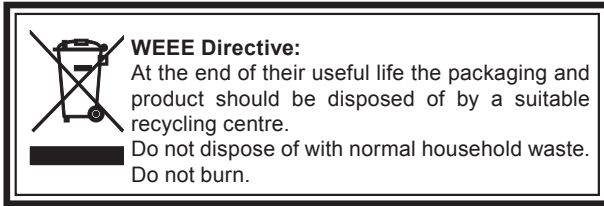
Continue Installation

For IQ3xcite, continue installation according to IQ3xcite Installation Instructions - Mounting TG200626, section 3 step 12.



IQ3xcite Installation Instructions - Mounting (TG200626)

2 DISPOSAL



Please send any comments about this or any other Trend technical publication to techpubs@trendcontrols.com

© 2014 Honeywell Technologies Sàrl, ECC Division. All rights reserved. Manufactured for and on behalf of the Environmental and Combustion Controls Division of Honeywell Technologies Sàrl, Z.A. La Pièce, 16, 1180 Rolle, Switzerland by its Authorized Representative, Trend Control Systems Limited.

Trend Control Systems Limited reserves the right to revise this publication from time to time and make changes to the content hereof without obligation to notify any person of such revisions or changes.

Trend Control Systems Limited

Albery House, Springfield Road, Horsham, West Sussex, RH12 2PQ, UK. Tel:+44 (0)1403 211888 Fax:+44 (0)1403 241608 www.trendcontrols.com

Trend Control Systems USA

6670 185th Avenue NE, Redmond, Washington 98052, USA. Tel:(425) 897-3900 Fax:(425) 869-8445 www.trendamericas.com