

Important: Retain these instructions

These instructions shall be used by trained service personnel only. If the equipment is used in a manner not specified by these instructions, the protection provided by the equipment may be impaired.

<https://partners.trendcontrols.com>

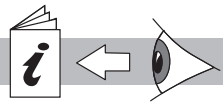


1 INSTALLATION

1

Install IQ3xcite and I/O Modules

(IQ3XCITE/96/... only)

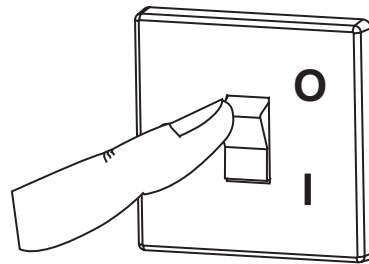


IQ3xcite Installation Instructions
- Mounting (TG200626)

XCITE/IO/.. Standard I/O
Module Installation Instructions
- Mounting (TG200627)

2

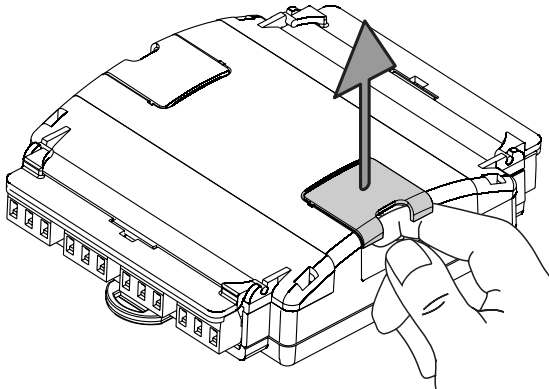
Switch Off



3

Open Flap

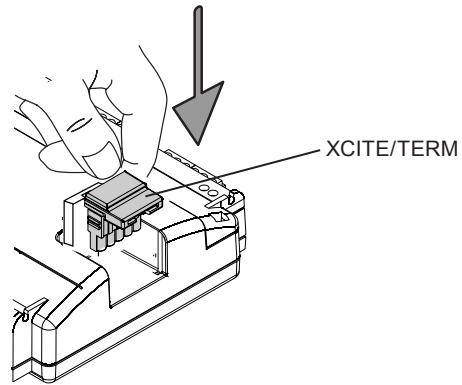
On I/O module at furthest end of I/O bus from main controller
or on main controller (if no I/O modules used)



4

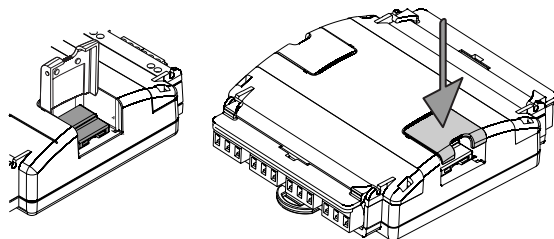
Plug in Terminator

On I/O module at furthest end of I/O bus from main controller
or on main controller (if no I/O modules used)



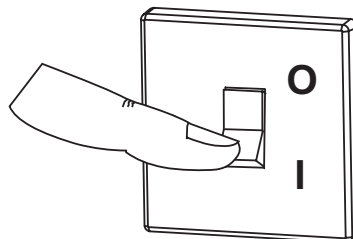
5

Close Flap



6

Switch on



Please send any comments about this or any other Trend technical publication to techpubs@trendcontrols.com



© 2015 Honeywell Technologies Sàrl, ECC Division. All rights reserved. Manufactured for and on behalf of the Environmental and Combustion Controls Division of Honeywell Technologies Sàrl, Z.A. La Pièce, 16, 1180 Rolle, Switzerland by its Authorized Representative, Trend Control Systems Limited.

Trend Control Systems Limited reserves the right to revise this publication from time to time and make changes to the content hereof without obligation to notify any person of such revisions or changes.

Trend Control Systems Limited

Albery House, Springfield Road, Horsham, West Sussex, RH12 2PQ, UK. Tel:+44 (0)1403 211888 Fax:+44 (0)1403 241608 www.trendcontrols.com
