

**Important: Retain these instructions**

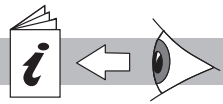
These instructions shall be used by trained service personnel only. If the equipment is used in a manner not specified by these instructions, the protection provided by the equipment may be impaired.

<https://partners.trendcontrols.com>



### 1 INSTALLATION

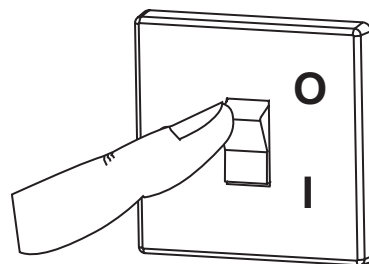
#### 1 Install IQ3xcite and I/O Modules (IQ3XCITE/96/... only)



IQ3xcite Installation Instructions  
- Mounting (TG200626)

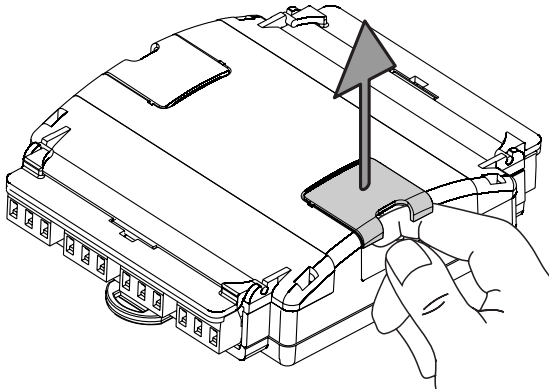
XCITE/IO/.. Standard I/O  
Module Installation Instructions  
- Mounting (TG200627)

#### 2 Switch Off



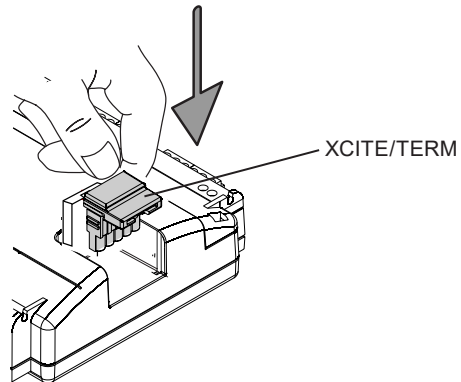
#### 3 Open Flap

On I/O module at furthest end of I/O bus from main controller  
or on main controller (if no I/O modules used)

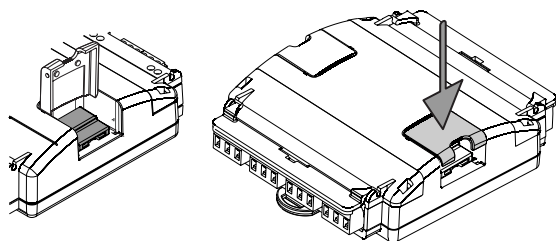


#### 4 Plug in Terminator

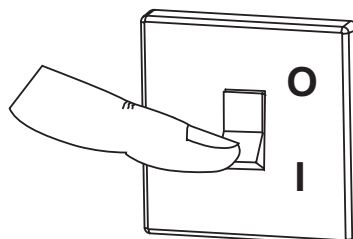
On I/O module at furthest end of I/O bus from main controller  
or on main controller (if no I/O modules used)



#### 5 Close Flap



#### 6 Switch on



Please send any comments about this or any other Trend technical publication to [techpubs@trendcontrols.com](mailto:techpubs@trendcontrols.com)



© 2018 Honeywell Technologies Sàrl, E&ES Division. All rights reserved. Manufactured for and on behalf of the Environmental & Energy Solutions Division of Honeywell Technologies Sàrl, Z.A. La Pièce, 16, 1180 Rolle, Switzerland by its Authorized Representative, Trend Control Systems Limited.

Trend Control Systems Limited reserves the right to revise this publication from time to time and make changes to the content hereof without obligation to notify any person of such revisions or changes.

**Trend Control Systems Limited**

St. Marks Court, North Street, Horsham, West Sussex, RH12 1BW, UK. Tel: +44 (0)1403 211888, [www.trendcontrols.com](http://www.trendcontrols.com)

---