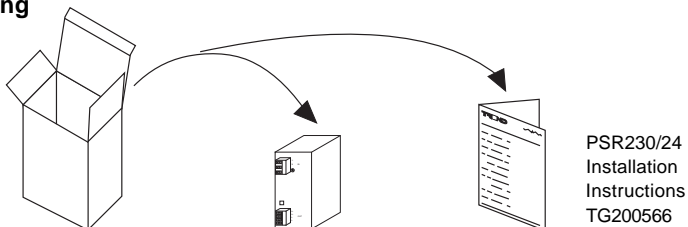


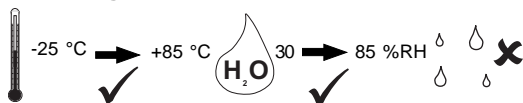
**Important: Retain these instructions**



### 1.1 Unpacking



### 1.2 Storage

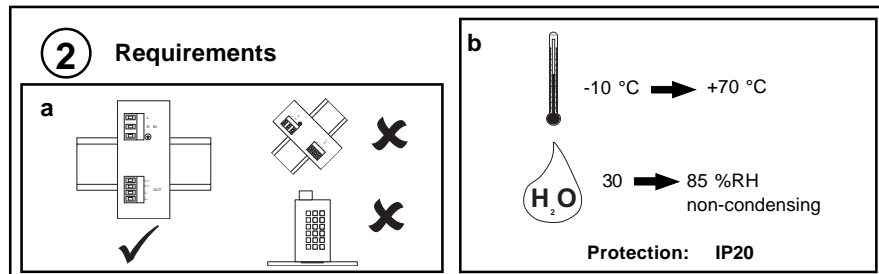
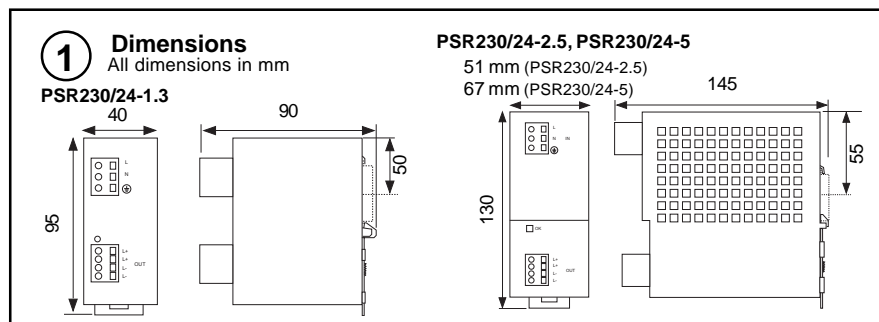


Extended storage: Equipment containing capacitors should be connected to the input supply for at least 5 minutes every two years.



It is recommended that the installation should comply with the HSE Memorandum of Guidance on Electricity at Work Regulations 1989.

### 1.3 Installation



1.3 Installation (continued)

**2 Requirements (continued)**

**c**

**d**

**e**

**f**

**3 Mount on DIN Rail**

35 mm DIN rail (DIN EN 50022)

**a**

**b**

**c**

**4 Switch Off**

**5 Connect Input Supply**

230 Vac (100 to 240 Vac) 50 to 60 Hz

230 Vac

L	⊖	L
N	⊖	N
E	⊖	⊕

PSU Consumption =

0.3 A	<b>PSR230/24-1.3</b>
0.6 A	<b>PSR230/24-2.5</b>
1.2 A	<b>PSR230/24-5</b>

Inrush Current =

<15 A	<b>PSR230/24-1.3</b>
<50 A	<b>PSR230/24-2.5</b>
<50 A	<b>PSR230/24-5</b>

Cable 0.08 mm<sup>2</sup> to 2.5 mm<sup>2</sup> (28 to 14 AWG) stripped length 8 to 9 mm (0.33")

**DO NOT SWITCH ON**

1.3 Installation (continued)

**6 Connect Output Supply**

24 Vdc

L+  
L+  
L-  
L-

+ Load  
-

$I_{max} = 1.3 \text{ A}$  PSR230/24-1.3  
 $2.5 \text{ A}$  PSR230/24-2.5  
 $5 \text{ A}$  PSR230/24-5

Cable 0.08 mm<sup>2</sup> to 2.5 mm<sup>2</sup> (28 to 14 AWG) stripped length 8 to 9 mm (0.33")  
 Rate 3 x 1 max

**7 Switch On**

**8 Check LED**  
 if PSR230/24-2.5, PSR230/24-5  
 (not PSR230/24-1.3)

DC (green) check steps 5, 6 & 7 above

**9 Set Voltage**  
 if required

L  
N  
IN  
PE

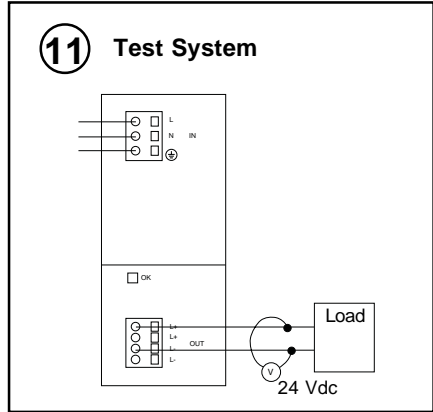
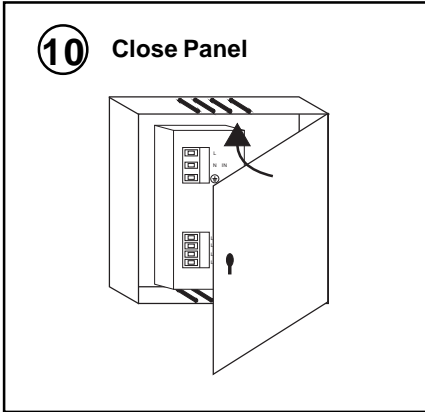
L+  
L+  
L-  
L-

OUT

Load

V

1.3 Installation (continued)



1.4 Disposal

**WEEE Directive :**

At the end of their useful life the packaging and product should be disposed of via a suitable recycling centre.  
Do not dispose of with normal household waste.  
Do not burn.

Manufactured for and on behalf of the Environmental and Combustion Controls Division of Honeywell Technologies Sàrl, Ecublens, Route du Bois 37, Switzerland by its Authorized Representative, Trend Control Systems Limited.

Trend Control Systems Limited reserves the right to revise this publication from time to time and make changes to the content hereof without obligation to notify any person of such revisions or changes.

**Trend Control Systems Limited**

P.O. Box 34, Horsham, West Sussex, RH12 2YF, UK. Tel: +44 (0)1403 21888 Fax: +44 (0)1403 241608 www.trend-controls.com

**Trend Control Systems USA**

6670 185th Avenue NE, Redmond, Washington 98052, USA. Tel: (425)869-8400, Fax: (425)869-8445 www.trend-controls.com