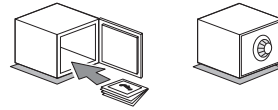


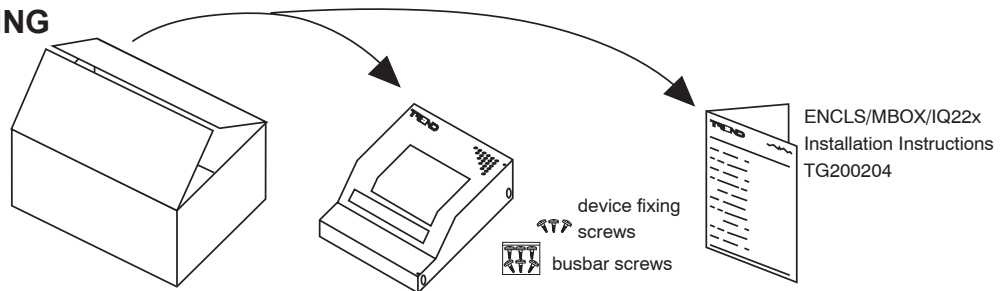
Important: Retain these instructions



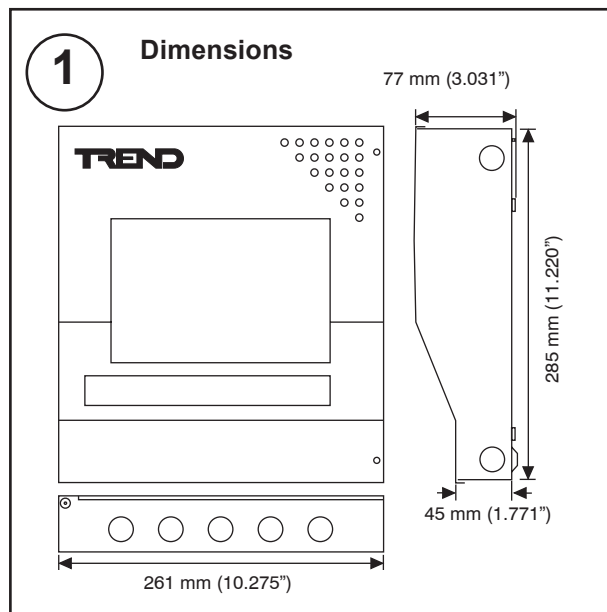
These instructions shall be used by trained service personnel only

If the equipment is used in a manner not specified by these instructions, the protection provided by the equipment may be impaired.

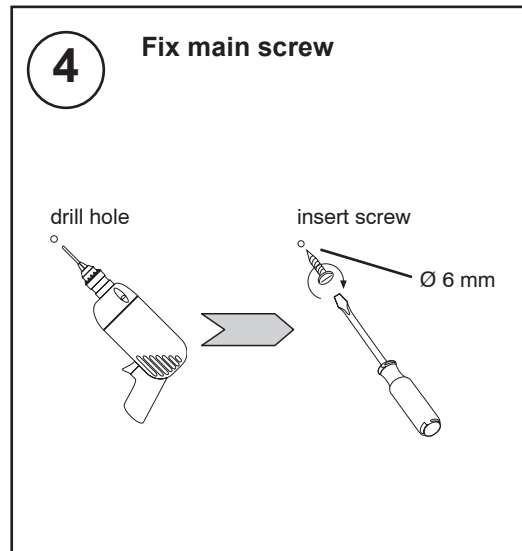
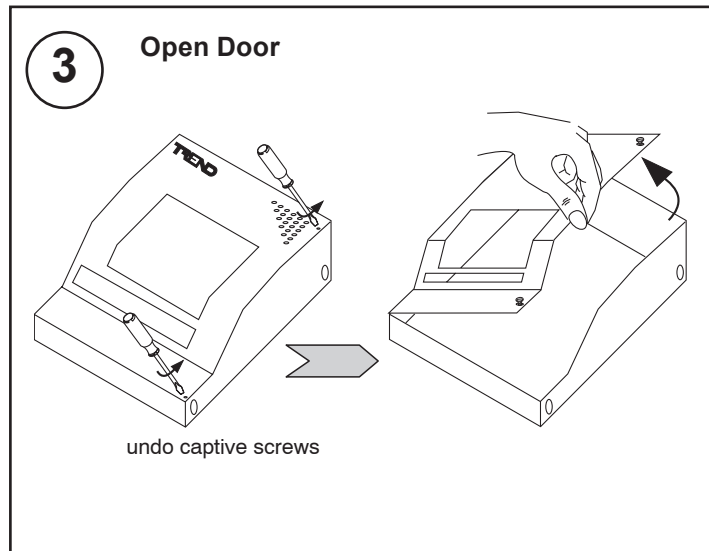
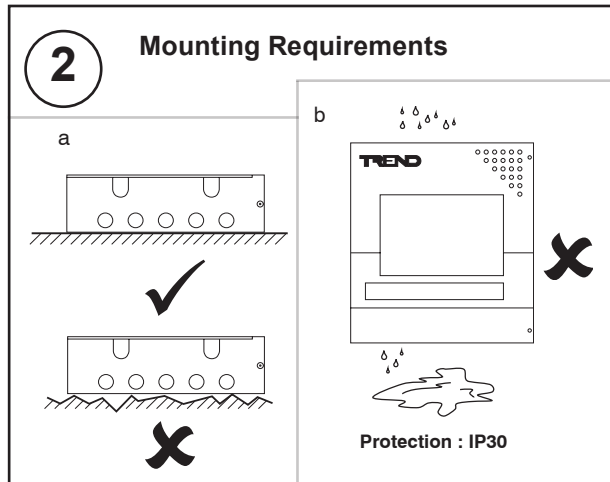
1 UNPACKING



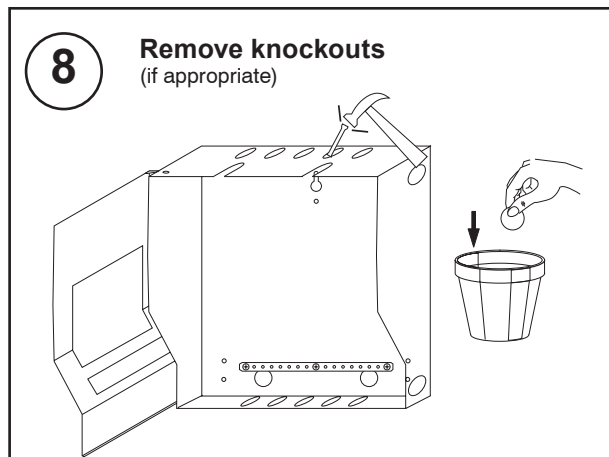
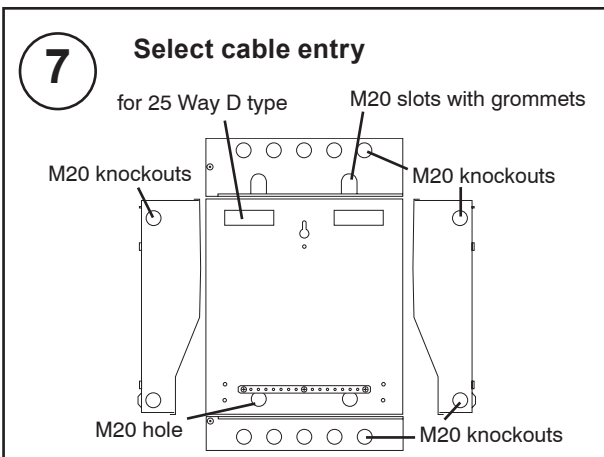
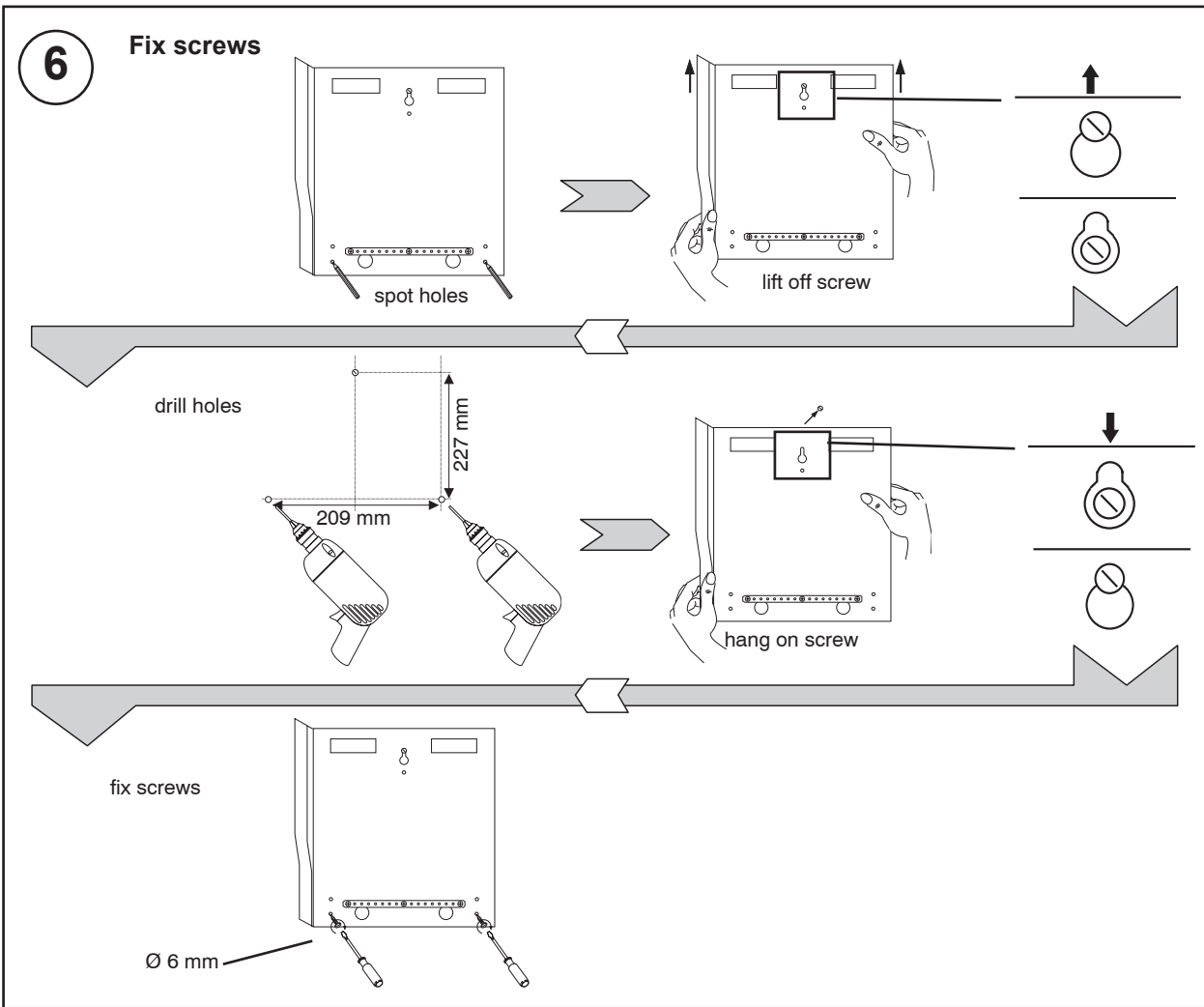
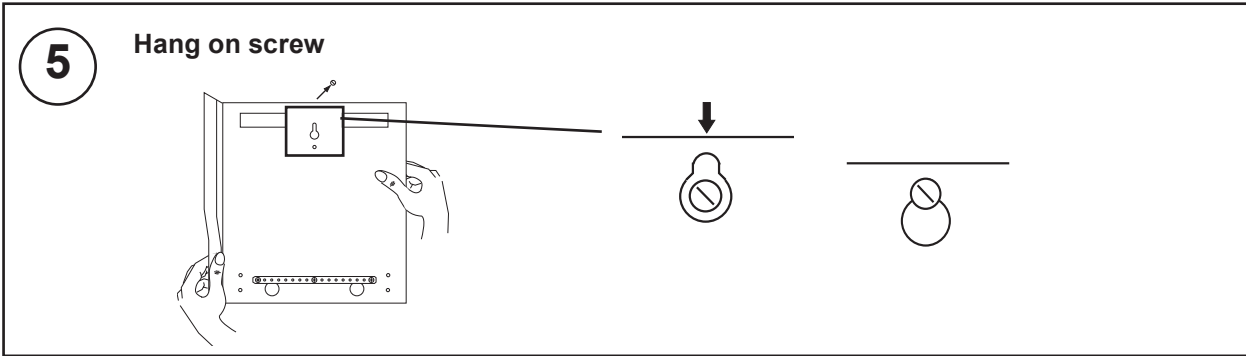
2 INSTALLATION



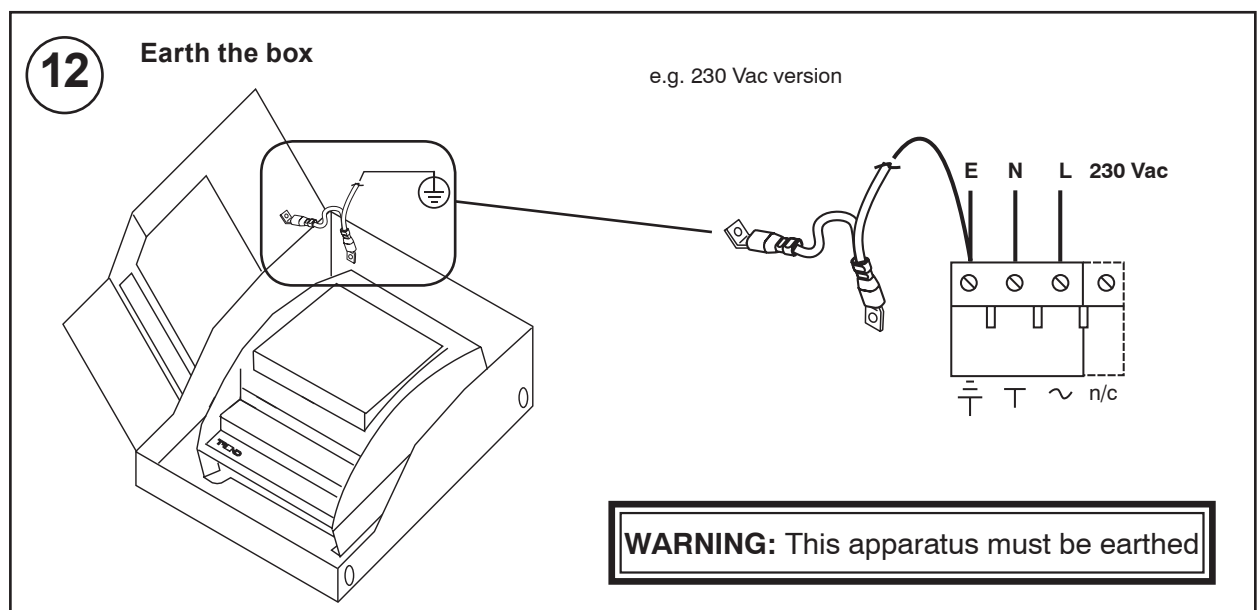
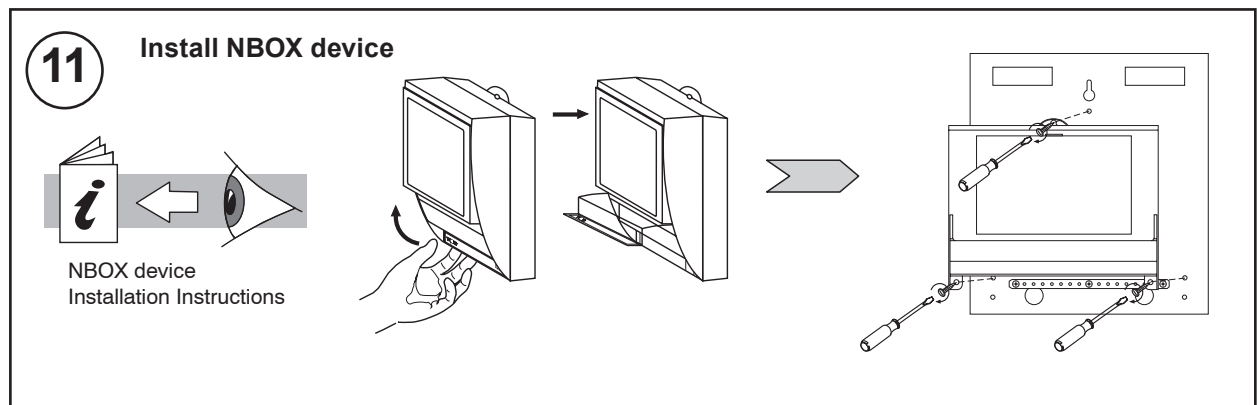
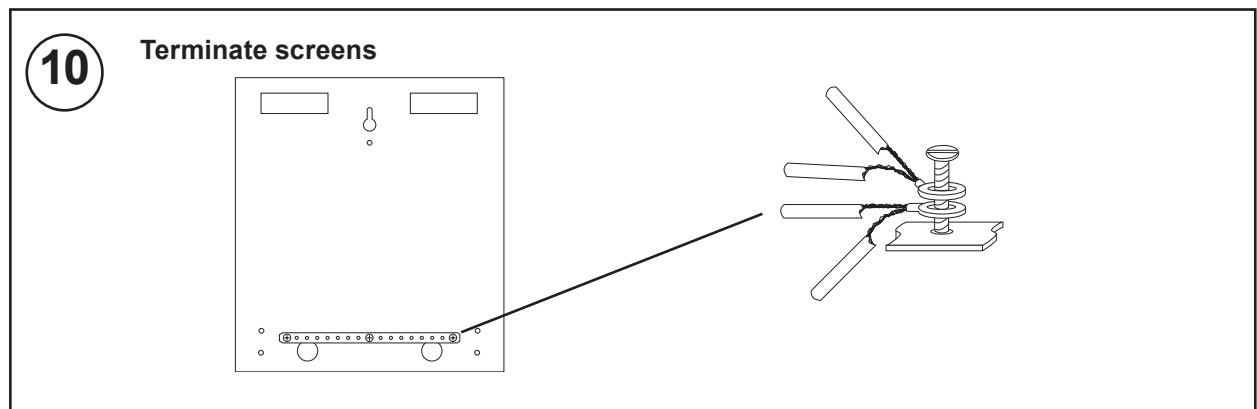
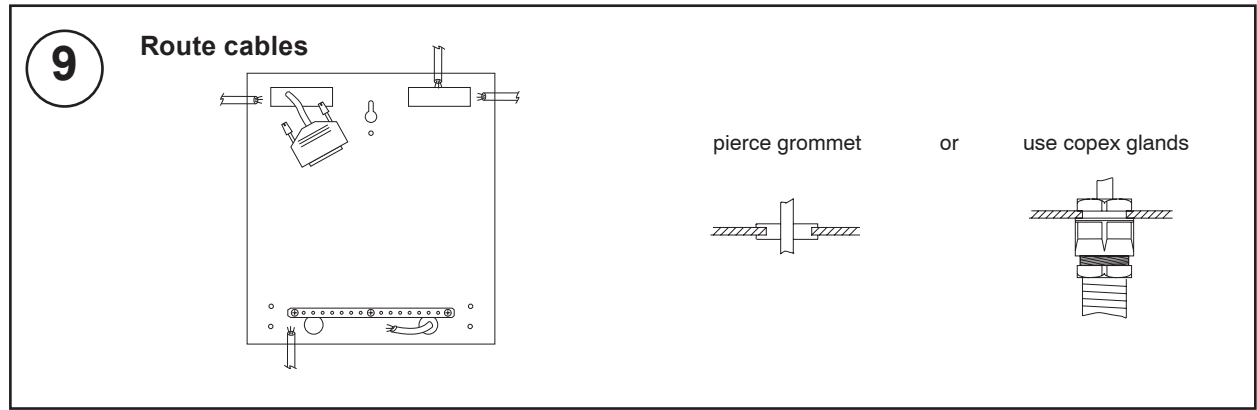
It is recommended that the installation should comply with the local electrical safety installation practices (e.g. HSE Memorandum of Guidance on Electricity at Work Regulations 1989, USA National Electric Code).



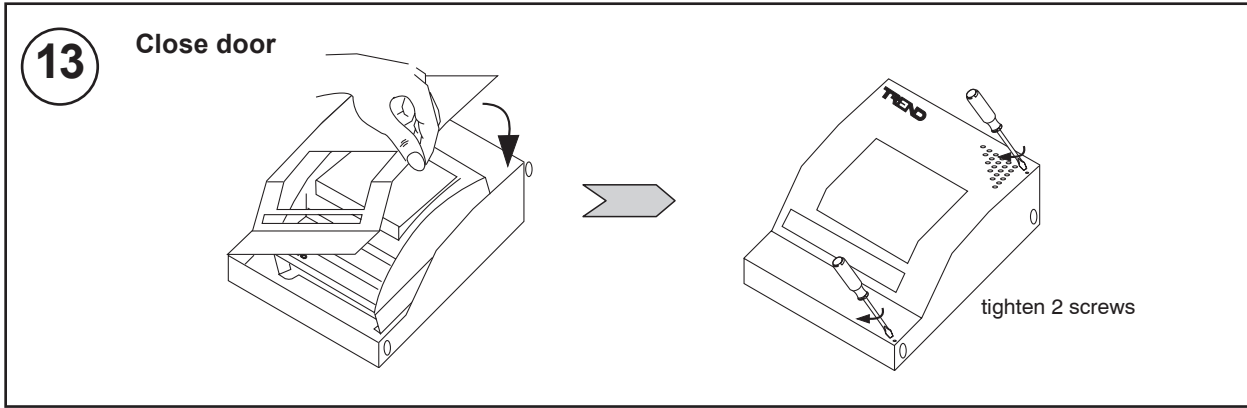
2 Installation - Mounting (continued)



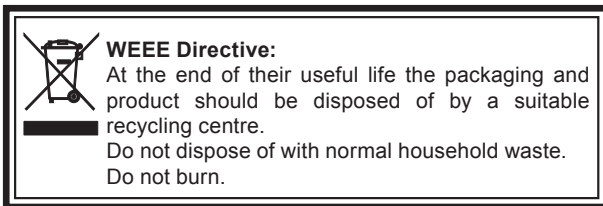
2 Installation - Mounting (continued)



2 Installation - Mounting (continued)



4 DISPOSAL



Please send any comments about this or any other Trend technical publication to techpubs@trendcontrols.com

© 2012 Honeywell Technologies Sàrl, ECC Division. All rights reserved. Manufactured for and on behalf of the Environmental and Combustion Controls Division of Honeywell Technologies Sàrl, Z.A. La Pièce, 16, 1180 Rolle, Switzerland by its Authorized Representative, Trend Control Systems Limited.

Trend Control Systems Limited reserves the right to revise this publication from time to time and make changes to the content hereof without obligation to notify any person of such revisions or changes.

Trend Control Systems Limited

Albery House, Springfield Road, Horsham, West Sussex, RH12 2PQ, UK. Tel:+44 (0)1403 211888 Fax:+44 (0)1403 241608 www.trendcontrols.com

Trend Control System USA

6670 185th Avenue NE, Redmond, Washington 98052, USA. Tel:(425) 869-3900 Fax:(425) 869-8445 www.trend-americas.com