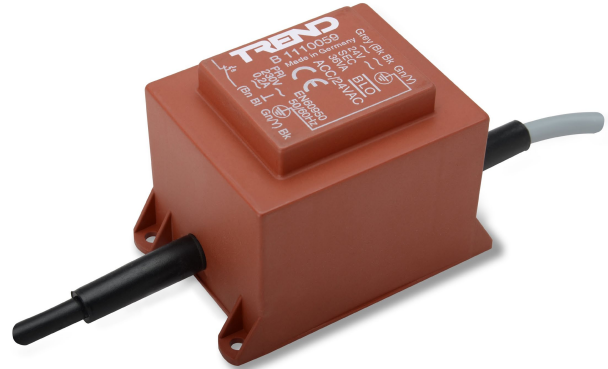


## ACC/24VAC 24 Vac Transformer



### Description

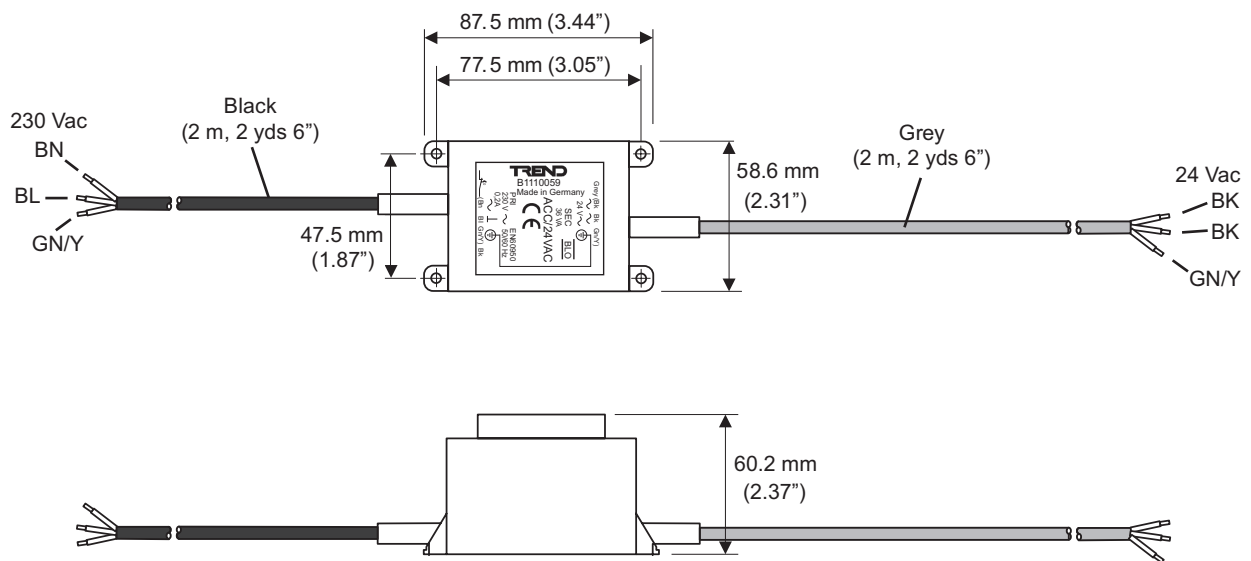
The ACC/24VAC is a 230 Vac to 24 Vac, 36 VA, transformer for surface mounting. It has a through earth (ground) connection to facilitate supply wiring to IQ system devices.

The transformer is intended for use only with Trend manufactured equipment.

### Features

- Compact 36 VA transformer.
- Through earth (ground).
- Complete with two (2 m, 2 yds 6") flying leads.
- Cores stripped and tinned.
- Thermal cutout on primary.

### Physical

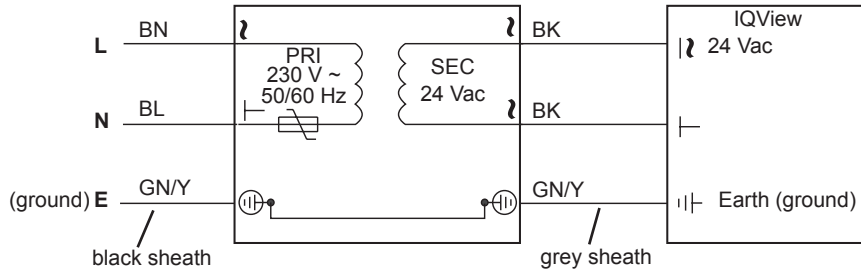


**FUNCTIONALITY**

The ACC/24VAC is a 230 Vac to 24 Vac, 36 VA transformer with 4 hole surface mounting. The primary is protected by a self-resetting thermal cutout (trip 110 °C, 230 °F - hysteresis 45 °C, 113 °F).


It has a through earth connection to facilitate wiring (i.e. on most IQ input devices the earth terminal must be connected to earth, ground). The 24 Vac lead is identified by colour code (grey sheath, with black, black, green/yellow cores).

**INSTALLATION**



Full installation details are given in ACC/24VAC Transformer Installation Instructions, (TG200755).

**DISPOSAL**



**WEEE Directive:**

At the end of their useful life the packaging, product, should be disposed of by a suitable recycling centre.

Do not dispose of with normal household waste.  
Do not burn.

**ORDER CODES**

ACC/24VAC                      230 Vac to 24 Vac transformer

**SPECIFICATIONS**

Primary	:230 Vac 50/60 Hz	Weight	:1.1 kg (2.43 lb) approx.
Rating	:0.2A	Dimensions	:87.5 mm (3.44") x 58.6 mm (2.31") x 60.2 mm (2.37")
Secondary	:24 Vac 50/60 Hz	Cable	:2 x 2 m (2 yds 6") flying cables
Power	:36 VA	Fixing	:4 x Ø 4 mm (0.16") holes 77 mm x 42 mm (3.03" x 1.65") centres
Protection	:self-resetting thermal cutout in primary (top 110 °C, 230 °F, hysteresis 45 °C, 113 °F).		
Material	:Black epoxide resin potting compound. 2 part flame retardant (to UL 94-V0).		
Safety	:EN60950-1		

Please send any comments about this or any other Trend technical publication to [techpubs@trendcontrols.com](mailto:techpubs@trendcontrols.com)

© 2012 Honeywell Technologies Sàrl, ECC Division. All rights reserved. Manufactured for and on behalf of the Environmental and Combustion Controls Division of Honeywell Technologies Sàrl, Z.A. La Pièce, 16, 1180 Rolle, Switzerland by its Authorized Representative, Trend Control Systems Limited.

Trend Control Systems Limited reserves the right to revise this publication from time to time and make changes to the content hereof without obligation to notify any person of such revisions or changes.

**Trend Control Systems Limited**

Albery House, Springfield Road, Horsham, West Sussex, RH12 2PQ, UK. Tel:+44 (0)1403 211888 Fax:+44 (0)1403 241608 [www.trendcontrols.com](http://www.trendcontrols.com)

**Trend Control System USA**

6670 185th Avenue NE, Redmond, Washington 98052, USA. Tel:(425) 869-3900 Fax:(425) 869-8445 [www.trend-americas.com](http://www.trend-americas.com)