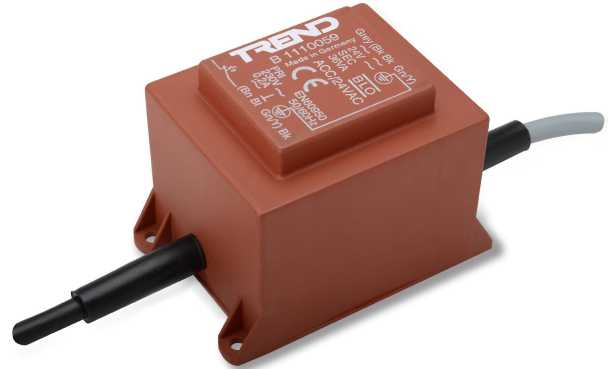


## ACC/24VAC 24 Vac Transformer



### Description

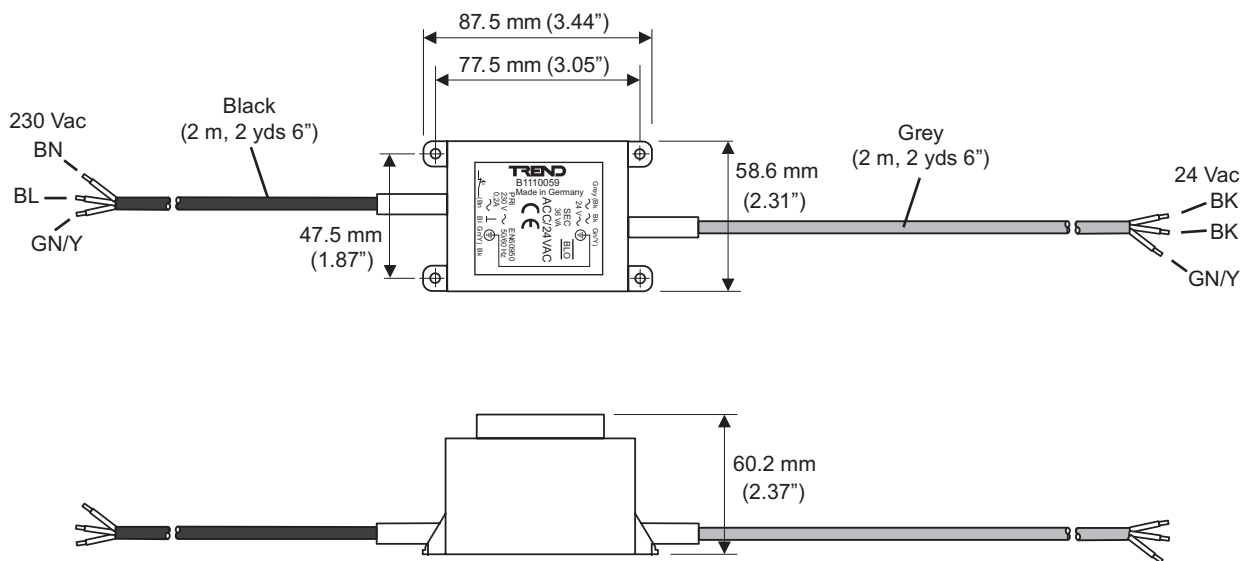
The ACC/24VAC is a 230 Vac to 24 Vac, 36 VA, transformer for surface mounting. It has a through earth (ground) connection to facilitate supply wiring to IQ system devices.

The transformer is intended for use only with Trend manufactured equipment.

### Features

- Compact 36 VA transformer.
- Through earth (ground).
- Complete with two (2 m, 2 yds 6") flying leads.
- Cores stripped and tinned.
- Thermal cutout on primary.

### Physical



## FUNCTIONALITY


The ACC/24VAC is a 230 Vac to 24 Vac, 36 VA transformer with 4 hole surface mounting. The primary is protected by a self-resetting thermal cutout (trip 110 °C, 230 °F - hysteresis 45 °C, 113 °F).

It has a through earth connection to facilitate wiring (i.e. on most IQ input devices the earth terminal must be connected to earth, ground). The 24 Vac lead is identified by colour code (grey sheath, with black, black, green/yellow cores).

## INSTALLATION

Full installation details are given in ACC/24VAC Transformer Installation Instructions, (TG200755).

## DISPOSAL



**WEEE Directive:**

At the end of their useful life the packaging, product, should be disposed of by a suitable recycling centre.

Do not dispose of with normal household waste.  
Do not burn.

## ORDER CODES

ACC/24VAC

230 Vac to 24 Vac transformer

## SPECIFICATIONS

Primary	:230 Vac 50/60 Hz
Rating	:0.2A
Secondary	:24 Vac 50/60 Hz
Power	:36 VA
Protection	:self-resetting thermal cutout in primary (top 110 °C, 230 °F, hysteresis 45 °C, 113 °F).
Material	:Black epoxide resin potting compound. 2 part flame retardant (to UL 94-V0).
Safety	:EN60950-1
Weight	:1.1 kg (2.43 lb) approx.
Dimensions	:87.5 mm (3.44") x 58.6 mm (2.31") x 60.2 mm (2.37")
Cable	:2 x 2 m (2 yds 6") flying cables
Fixing	:4 x Ø 4 mm (0.16") holes 77 mm x 42 mm (3.03" x 1.65") centres

Please send any comments about this or any other Trend technical publication to [techpubs@trendcontrols.com](mailto:techpubs@trendcontrols.com)

© 2018 Honeywell Technologies Sàrl, E&ES Division. All rights reserved. Manufactured for and on behalf of the Environmental & Energy Solutions Division of Honeywell Technologies Sàrl, Z.A. La Pièce, 16, 1180 Rolle, Switzerland by its Authorized Representative, Trend Control Systems Limited.

Trend Control Systems Limited reserves the right to revise this publication from time to time and make changes to the content hereof without obligation to notify any person of such revisions or changes.

### Trend Control Systems Limited

St. Marks Court, North Street, Horsham, West Sussex, RH12 1BW, UK. Tel: +44 (0)1403 211888, [www.trendcontrols.com](http://www.trendcontrols.com)