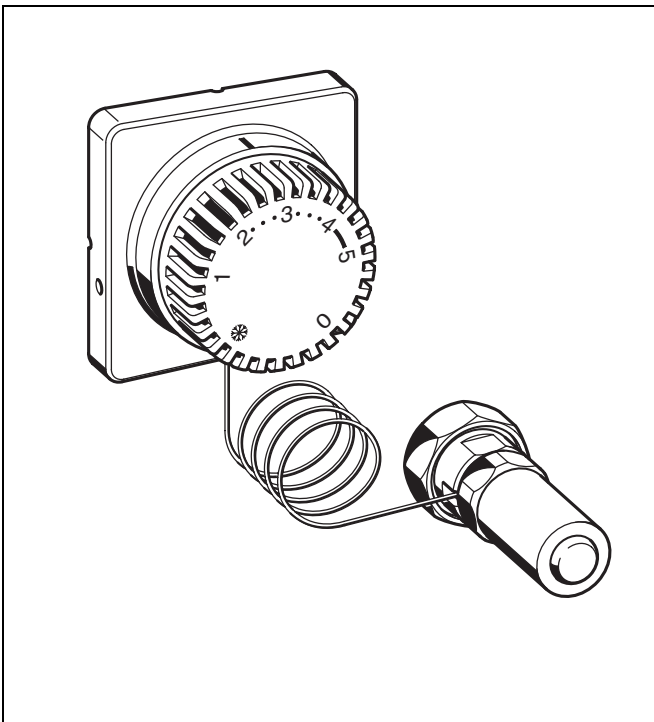


T855 Remote Thermostat-EL

RADIATOR THERMOSTAT WITH REMOTE SETPOINT REDUCTION

PRODUCT DATA



Design

The radiator thermostat consists of:

- Handwheel with base
- Heat element
- External sensor with capillary tube, cage, spindle assembly and union nut

Materials

- Handwheel, base and cage made of plastic, white according to RAL9016
- Connection nut made of nickel-plated brass
- Capillary tube made of nickel-plated copper

Application

The temperature of different rooms is controlled individually and energy is saved.

Remote Thermostat of this type are temperature-controlled proportional action regulator. Remote Thermostats offer a considerable economical effect in two ways: depending on usage, rooms in a flat can be tempered differently. Furthermore the Remote Thermostat detects appearing external heat, for example solar heat, heat emission from persons, devices, illumination, etc., and closes the thermostatic valve adequately. In addition the set temperature can be reduced remotely by 5...13K.

Thermostats of this type with M30 x 1.5 connection are suitable for all Honeywell TRV bodies and radiator inserts, all Honeywell valve series M, as well as other TRV bodies and radiator inserts with M30 x 1.5 connection and 11.5 mm closing dimension.

Features

- Remote reduction of set temperature by applying a voltage of 12 to 24 V for a reduction of 5...13K
- Contains a liquid-filled sensing element with excellent control characteristic
- Large-area temperature receptivity
- Blocking, limiting and narrowing of setting range possible

Specifications

Thermostat connection	M30 x 1.5
Setpoint range	0 - * - 1..5
Temperature range	1...28°C (34...82°F)
Closing dimension	11.5 mm
Capillary tube length	2 m
Capacity	25 mW/K
Temperature reduction	13K at 24 V AC/DC
Cable connection	0.14 to 0.5 m ²

NOTE: Zero-position is also thermostatically controlled - when temperature falls the TRV may open.

Function

Radiator thermostats maintain the set room temperature automatically. The temperature in every room is controlled reliably without need of an external energy source according to your requirements. The air current flowing around the sensor ensures that the set temperature is maintained: if the temperature rises, the sensor inside the thermostatic valve head expands and the supply of water to the radiator is throttled. If the temperature drops the sensor contracts and opens the thermostatic valve accordingly. This means that the opening for the water is changed according to the movement of the sensor through the valve cartridge in the valve seat. The valve only allows as much water into the radiator as is necessary to maintain the set room temperature.

Dimensions and Ordering Information

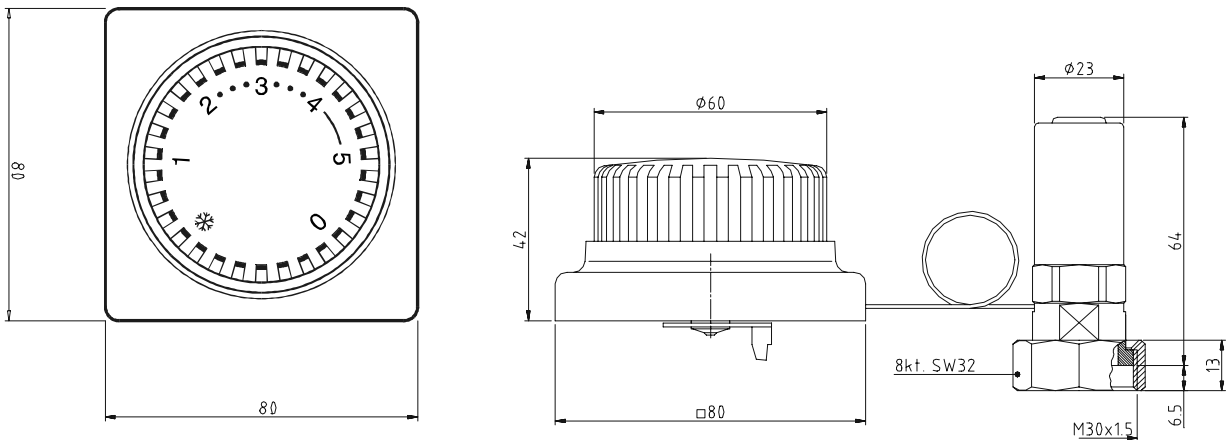


Fig. 1. Dimensions

NOTE: All dimensions in mm unless stated otherwise.

NOTE: Because of the cable terminals at the back the Remote Thermostat-EL has to be installed onto a cable duct.

Table 1. Available versions and OS-Nos (OS=Ordering Specification)

Type	OS-No.
Thermostat-EL with remote setpoint reduction	T855V24

Setpoint

Table 2. Thermostats of this type with zero-position ('0')

Setpoint	0	*	1	2	3	4	5
°C	closed	8	10	15	20	23	28
°F	closed	46	50	59	68	73	82

NOTE: All °C and °F-values approximate.

Please Note:

- To avoid stone deposit and corrosion the composition of the medium should conform with VDI-Guideline 2035
- Additives have to be suitable for EPDM sealings
- System has to be flushed thoroughly before initial operation with all valves fully open
- Any complaints or costs resulting from non-compliance with above rules will not be accepted by Honeywell
- Please contact us if you should have any special requirements or needs

Temperature reduction

5K at	12 V AC/DC
8K at	16 V AC/DC
11K at	20 V AC/DC
13K at	24 V AC/DC

Accessories

Adapter



DA-Adapter from Danfoss snap connection RA to M30 x 1.5 TA1010DA01

Adapter



HZ-Adapter from M28 x 1.5 with 9.5 mm closing dimension to M30 x 1.5 with 11.5 mm closing dimension TA1010HZ01

Automation and Control Solutions

Honeywell GmbH

Hardhofweg

74821 Mosbach, Germany

Phone: +49 (6261) 810

Fax: +49 (6261) 81393

www.honeywell.com

EN0H-2012GE25 R1206
Dezember 2006

© 2006 Honeywell International Inc.
Subject to change • All rights reserved

Manufactured for and on behalf of the Environmental and Combustion Controls Division of Honeywell Technologies Sàrl, Ecublens, Route du Bois 37, Switzerland or by its Authorized Representative.

Honeywell