

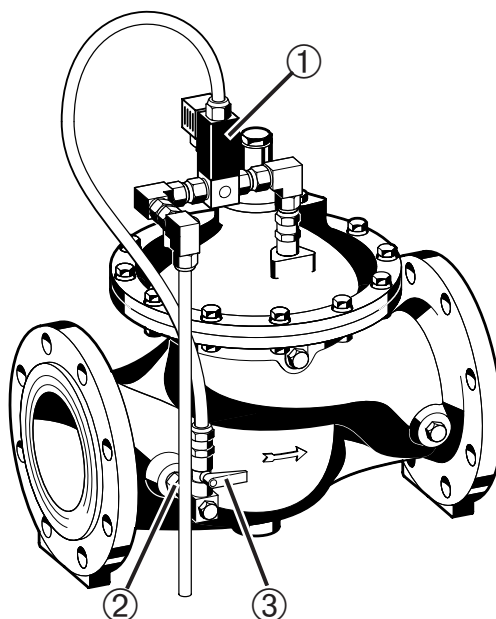
MV300

Einbau-Anleitung • Installation Instructions
Instructions de montage • Istruzioni di montaggio

E1

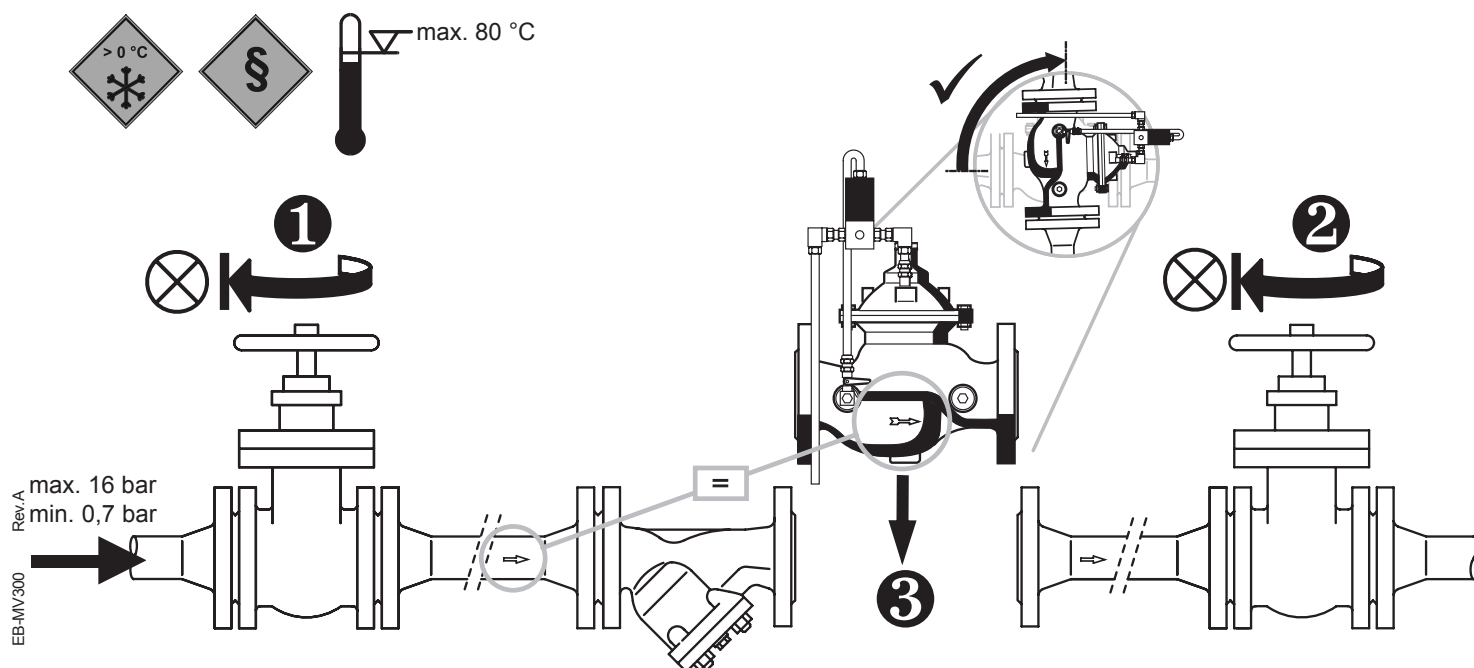
Bauteile • Components • Pièces • Componenti

- ① = Magnetventil
Magnetic solenoid valve
Vanne magnétique
Elettrovalvola
- ② = Filtereinsatz
Filter insert
Garniture de filtration
Inserto filtro
- ③ = Absperr-Kugelhahn
Manual ball valve
Clapet à bille
Valvola di intercettazione a sfera



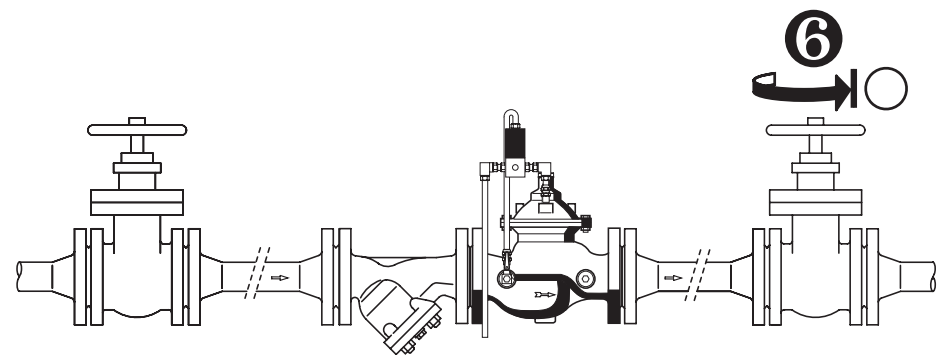
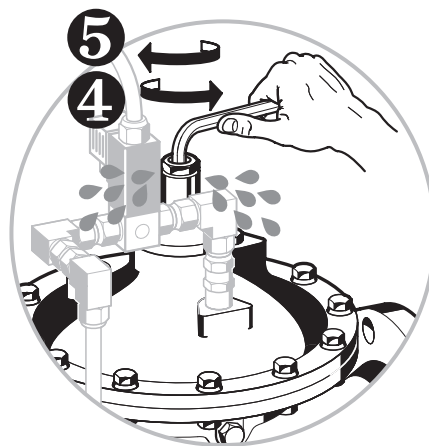
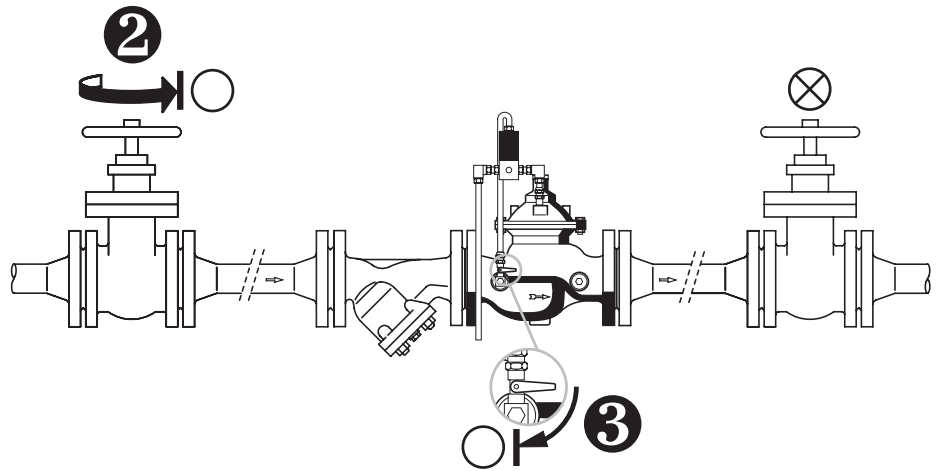
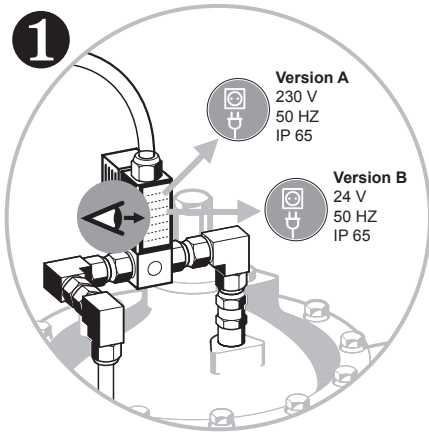
E2

Einbau • Installation • Installation • Installazione



E3

Inbetriebnahme • Commissioning • Mise en service Messa in servizio



Automation and Control Solutions

Honeywell GmbH
Hardhofweg
74821 Mosbach
Phone: (49) 6261 810
Fax: (49) 6261 81309
www.honeywell.com

Manufactured for and on behalf of the Environmental and Combustion Controls Division of Honeywell Technologies Sàrl, Ecublens, Route du Bois 37, Switzerland by its Authorised Representative Honeywell GmbH

MU1H-1330GE23 R0207
Subject to change without notice
© 2007 Honeywell GmbH

Honeywell