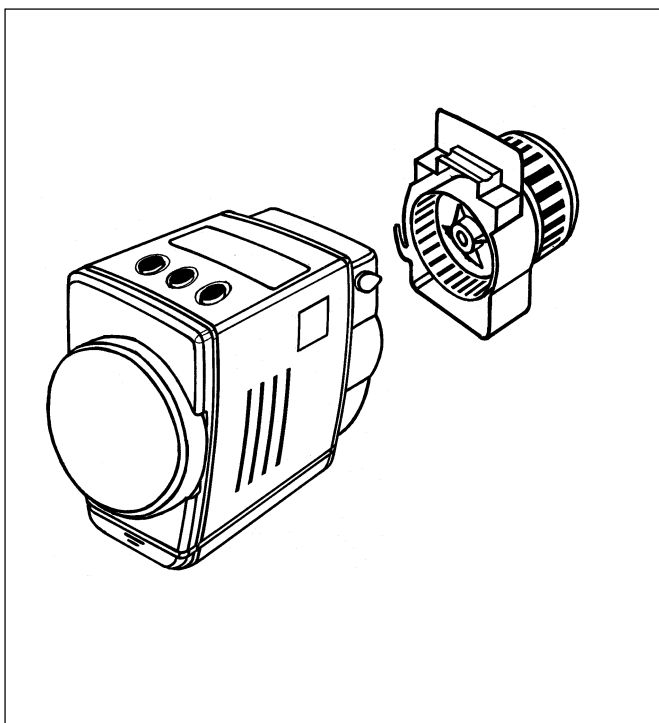


## HR40 Roomtronic ELECTRONIC RADIATOR THERMOSTAT

### PRODUCT DATA



### Design

The thermostat consists of:

- Operating unit with display and batteries (supplied)
- Valve lantern
- Adapter with screw and nut

### Materials

- Operating unit housing made of white plastic with blue rubber-coated push-buttons and LCD
- Valve lantern made of white plastic with blue plastic adjustment ring and stainless steel spindle

### Application

Thermostats are installed onto thermostatic valve bodies (TRV bodies). The combination of thermostat and TRV body, (TRV), controls the room temperature by regulating the flow of heating water into a heat exchanger.

TRVs are installed in water-based heating systems at the supply or, less commonly at the return connection of radiators or other heat exchangers.

In addition the Roomtronic offers programmable time/temperature control with 28 switching points per week (4 per day).

The Roomtronic is suitable for all Honeywell and Heimeier TRV bodies and radiator inserts.

With supplied adapter the Roomtronic is suitable for Danfoss RA and RAVL type TRV bodies and radiator inserts.

Further adapters (see 'Accessories' on page 2) are available for Danfoss RAV type, Herz, Oventrop and Vaillant VRHV and VRHF type TRV bodies.

### Features

- **Two programmable temperatures: Comfort and Economy**
- **28 programmable switching points per week between Comfort and Economy temperature (up to 4 per day)**
- **Factory set basic program: Comfort from 6:00 to 22:00 hours at 21°C (70°F) and Economy from 22:00 to 6:00 hours at 16°C (61°F)**
- **Manual override possible anytime**
- **Automatic switch-over to daylight saving time in spring/autumn**
- **Anti-jam function: TRV is fully opened and closed once a week**
- **Window-function: TRV closes when window is opened and opens again when window is closed, latest after 30 minutes**
- **Manual operation possible with valve lantern**

## Specifications

<b>Thermostat connection</b>	M30 x 1,5 various adapters supplied with product or available as accessory
<b>Setpoint range/ temperature range</b>	closed - 8...28°C (46...82°F) - fully open
<b>Operating pressure</b>	4...10 bar (58...145 psi)*
<b>Differential pressure</b>	0,4...1 bar (5,8...14,5 psi)*
<b>Measuring cycle</b>	3 minutes
<b>Switching points</b>	4 per day 28 per week
<b>Smallest switch cycle</b>	10 minutes

<b>Clock</b>	Resolution 1 minute, automatic switch-over to daylight saving time
<b>Batteries</b>	2 x LR6AA (Mignon), 1,5 V, Alkaline (supplied with product) durability approx. 2 heating periods
<b>Radio shielding</b>	Conforms with CE according to DIN50081-1

NOTE: \*Depending on used TRV body.

## Dimensions

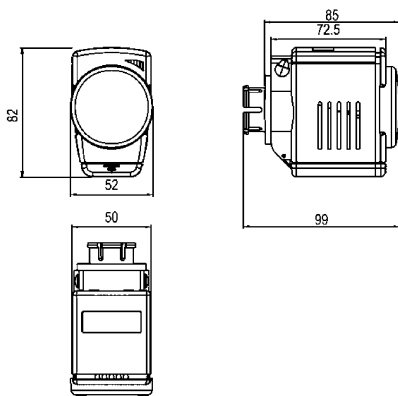


Fig. 1. Roomtronic (operating unit mounted onto valve lantern)

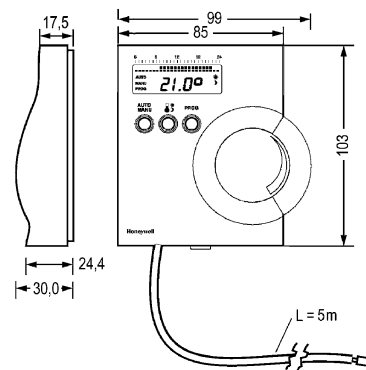


Fig. 2. HR40 F Remote sensing and control unit

NOTE: All dimensions in mm if not stated differently.

## Ordering Information

Item	OS-No.
Roomtronic electronic radiator thermostat consisting of operating unit, valve lantern and valve body adapter	HR40
Roomtronic electronic radiator thermostat with remote sensing and control unit consisting of operating unit, valve lantern	HR40F

## Accessories

<b>Power supply unit for use of Roomtronic without batteries</b>	HN40	<b>Adapter for Herz TRV bodies</b>	HU02
<b>Remote sensing and control unit for later addition</b>	HCW23-K	<b>Adapterset for Danfoss RA, RAV, and RAVL types</b>	EVA1-Danfoss
<b>Adapter for Vaillant TRV bodies</b>	EHA1VAI	<b>Adapter for Danfoss RA type TRV bodies (10 pcs)</b>	EVA10RA
<b>Adapter for Oventrop TRV bodies with M30 x 1,0 connection (till Feb 1998)</b>	HU01	<b>Adapter for Danfoss RAV type TRV bodies (10 pcs)</b>	EVA10RAV

**Honeywell**

### Home and Building Control

Honeywell AG  
Zu den Ruhrwiesen 3  
D-59755 Arnsberg-Neheim  
Phone: (49) 2932 9880  
Fax: (49) 2932 988239  
mng@honeywell.com

<http://europe.hbc.honeywell.com>