



## FEATURES

- The CLTG00MMIN01 is suitable for installation in a cabinet door or wall.
- Bus-wide access to all connected PANTHER / TIGER controllers.
- No disturbances in the event of bursts (due e.g. to frequency inverters) of up to 500 V in the cabinet (specified by CE test).

## GENERAL

The CLTG00MMIN01 External MMI is a member of the TIGER family of controllers. It comes complete with a cabinet door mounting kit for installation in cabinet doors.

The CLTG00MMIN01 is a bus-wide MMI and can be connected (via the 1.5-m-long flat-strip connection cable included in the delivery) to the CLTG38L01 and used to display information about the TIGER / PANTHER controllers located throughout the system.

The CLTG00MMIN01 draws its power from the CLTG38L01 to which it is connected via the flat-strip cable and is thus powered by the same transformer.

## SPECIFICATIONS

### Backlit LED Display

The CLTG00MMIN01 External MMI features a keypad (with eight function keys and four fast-access keys) and a display (with LCD, four lines, 16 characters per line, backlight).

### Mounting Options

- Front door mounted with sealing ring.

### Connection

The CLTG00MMIN01 External MMI can be attached (via the 1.5-m-long flat-strip connection cable included in the delivery) to the CLTG38L01's special interface and used to display information about the TIGER / PANTHER controllers located throughout the system.

### Power Supply

#### Voltage

The CLTG00MMIN01 External MMI draws its power from the CLTG38L01 to which it is connected via the flat-strip cable and is thus powered by the same transformer.

#### Power Consumption

Less than 2 VA.

### Environmental Ratings

Operating temperature: 0...50 °C  
 Storage temperature: -20...+70 °C  
 Relative humidity: 5...93% non-condensing  
 Pollution degree: Class II

### Protection Standards

IP54 (when front-door mounted with MMI in a cabinet conforming to IP54).

### Certifications

- CE
- Meets FCC Part 15, Subpart J for Class A equipment.

## DIMENSIONS

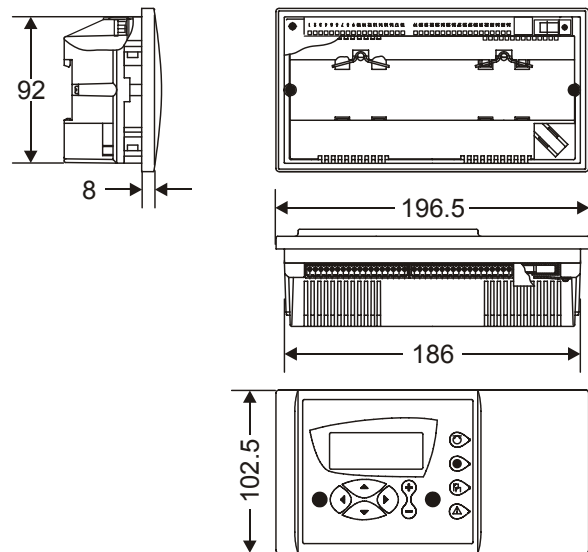


Fig. 1. Dimensions (in mm)

Manufactured for and on behalf of the Environmental and Combustion Controls Division of Honeywell Technologies Sàrl, Ecublens, Route du Bois 37, Switzerland by its Authorized Representative:

CentraLine  
 Honeywell GmbH  
 Böblinger Straße 17  
 D-71101 Schönaich  
 Tel +49 7031 637 845  
 Fax +49 7031 637 846  
[info@centraline.com](mailto:info@centraline.com)  
[www.centraline.com](http://www.centraline.com)

CentraLine  
 Honeywell Control Systems Ltd.  
 Arlington Business Park  
 UK-Bracknell, Berkshire RG12 1EB  
 Tel +44 13 44 656 565  
 Fax +44 13 44 656 563  
[info-uk@centraline.com](mailto:info-uk@centraline.com)  
[www.centraline.com](http://www.centraline.com)

Printed in Germany.  
 Subject to change  
 without notice.  
 EN0Z-0919GE51 R0508

**CENTRA<sup>®</sup>  
 LINE**  
 by Honeywell